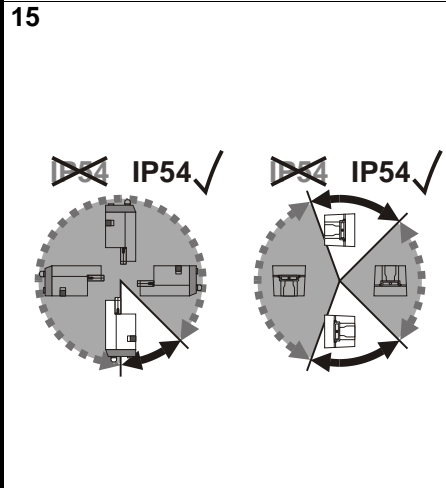
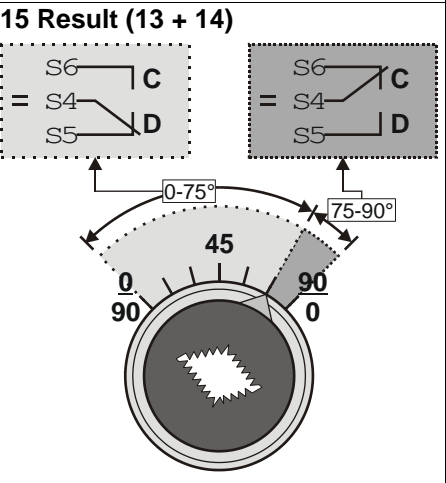
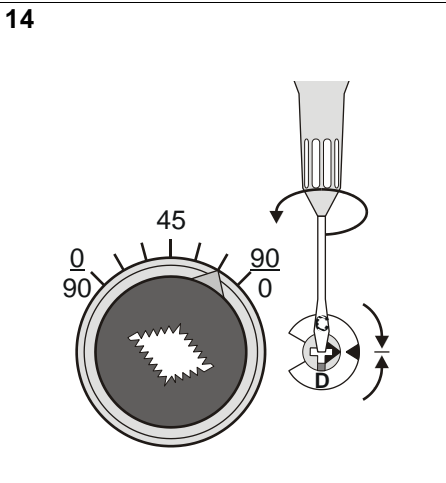
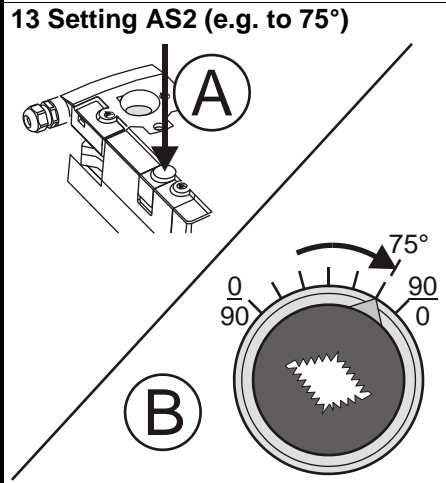
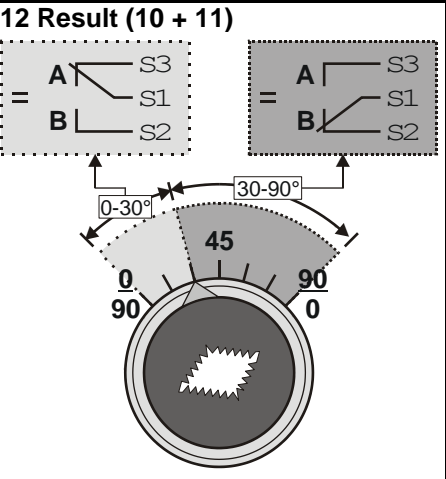
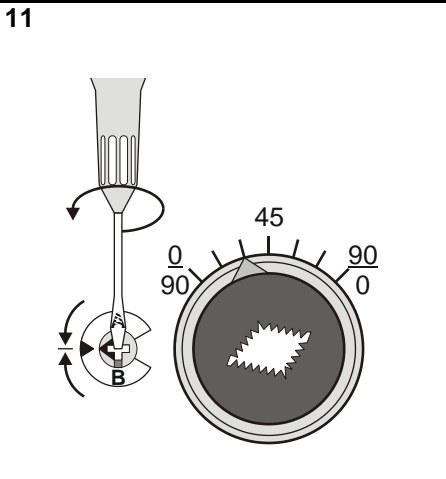
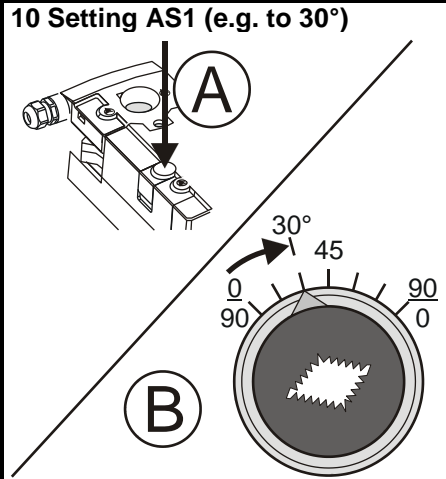


D Montageanweisung
 DK Installationsinstruktus
 ES Instrucciones de montaje
 F Instructions d'installation
 I Istruzioni di montaggio
 N Installationsinstruktioner
 NL Installatievoorschrift
 S Installation instruktioner
 FI Asennusohje

SW2, SW2-US Auxiliary Switch Kit for SmartAct Damper Actuators N20xx, N34xx, S10xx, S20xx

INSTALLATION INSTRUCTIONS

| | | | | | | | | | | | | | | | | | | |
|-------------------|---|--------------------------------|---|-------------|---|-------------------|----|-----------------|---|---|----|----|---|--|----|----|--|----------------------------------|
| <p>1</p> | <p>2</p> | <p>3 (S10xx, S20xx)</p> | | | | | | | | | | | | | | | | |
| <p>4</p> | <p>5</p> <table border="1"> <tr> <td>230 V + 230 V</td> <td>✓</td> </tr> <tr> <td>24 V + 24 V</td> <td>✓</td> </tr> <tr> <td>230 V + 24 V SELV</td> <td>✓</td> </tr> </table> | 230 V + 230 V | ✓ | 24 V + 24 V | ✓ | 230 V + 24 V SELV | ✓ | <p>6</p> | | | | | | | | | | |
| 230 V + 230 V | ✓ | | | | | | | | | | | | | | | | | |
| 24 V + 24 V | ✓ | | | | | | | | | | | | | | | | | |
| 230 V + 24 V SELV | ✓ | | | | | | | | | | | | | | | | | |
| <p>7</p> | <p>8</p> <table border="0"> <tr> <td colspan="2">AS1</td> <td colspan="2">AS2</td> </tr> <tr> <td>A</td> <td>S3</td> <td>S6</td> <td>C</td> </tr> <tr> <td>B</td> <td>S1</td> <td>S4</td> <td>D</td> </tr> <tr> <td></td> <td>S2</td> <td>S5</td> <td></td> </tr> </table> | AS1 | | AS2 | | A | S3 | S6 | C | B | S1 | S4 | D | | S2 | S5 | | <p>9 Setting AS1, AS2</p> |
| AS1 | | AS2 | | | | | | | | | | | | | | | | |
| A | S3 | S6 | C | | | | | | | | | | | | | | | |
| B | S1 | S4 | D | | | | | | | | | | | | | | | |
| | S2 | S5 | | | | | | | | | | | | | | | | |



| | | | |
|----|-----------|--------------|---------|
| E | result | setting | e.g. to |
| D | Ergebnis | Einstellen | Z.B.auf |
| DK | resultat | justering | f. eks |
| ES | resultado | ajuste | e.g. en |
| F | résultat | ajustment | p.a. au |
| I | risultato | aggiustaggio | p.e. in |
| N | resultat | justering | f. eks |
| NL | resultat | instellen | b.v. |
| S | resultat | inställning | ex. |
| FI | tulos | asetta | esim |

Manufactured for and on behalf of the Environmental & Energy Solutions Division of Honeywell Technologies Sàrl, Rolle, Z.A. La Pièce 16, Switzerland by its Authorized Representative:

Automation and Control Solutions
 Honeywell GmbH
 Böblinger Strasse 17
 71101 Schönaich, Germany
 Phone +49 (0) 7031 637 01
 Fax +49 (0) 7031 637 740
<http://ecc.emea.honeywell.com>

MU1B-0280GE51 R0416C

Subject to change without notice