

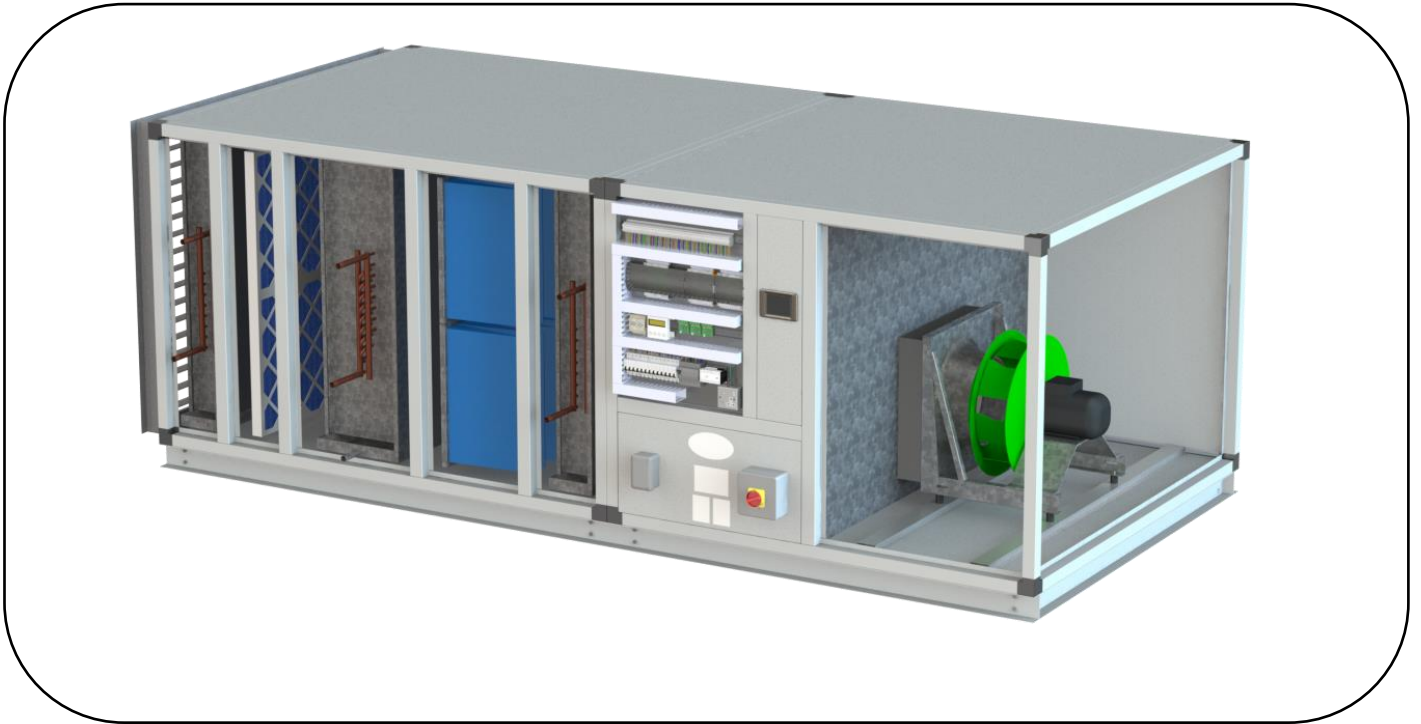


Supply Units

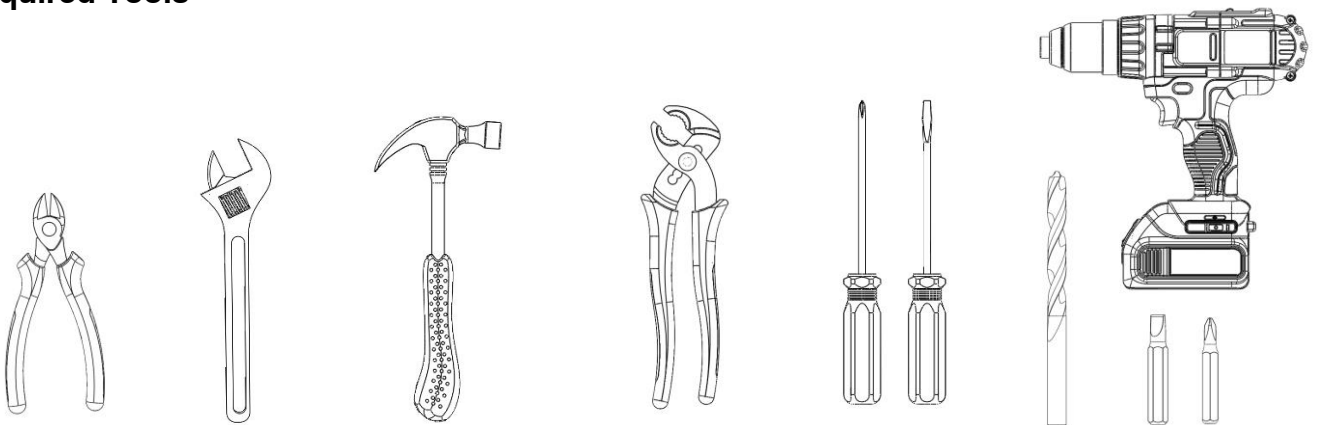


Recycling Instructions

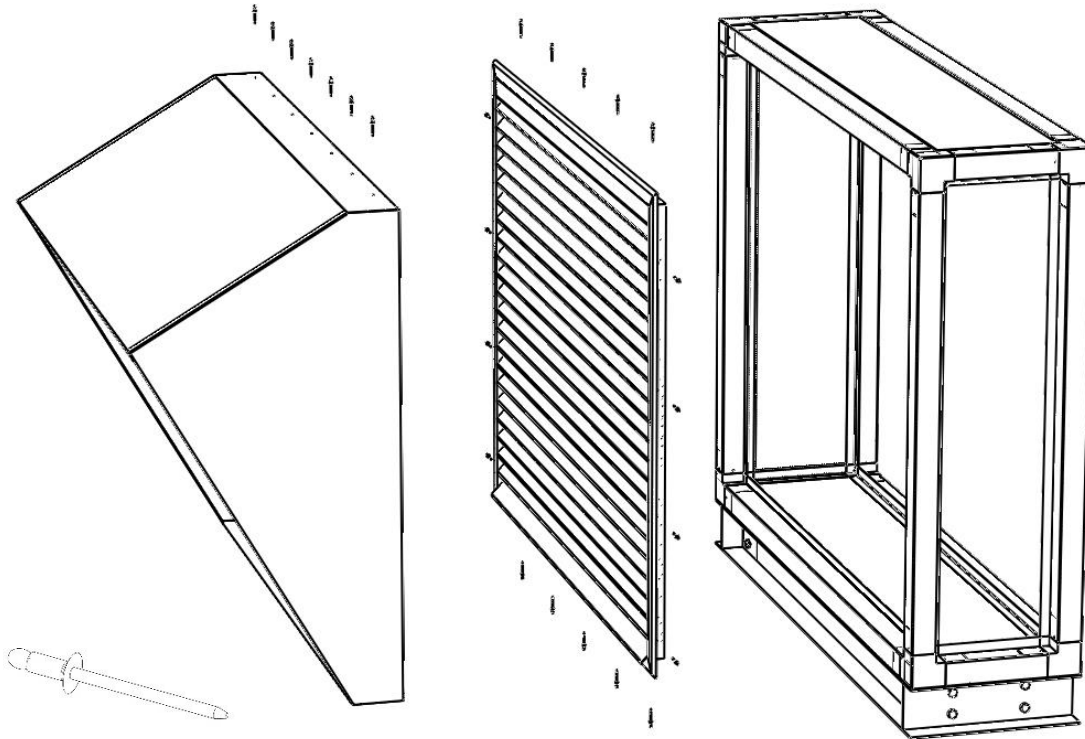




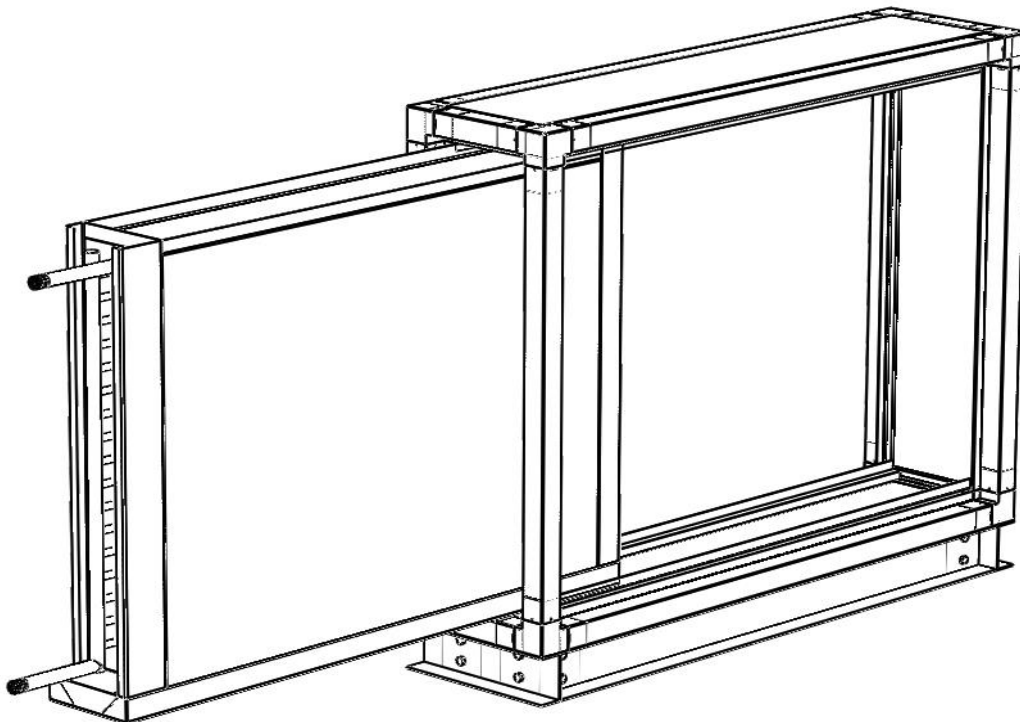
Required Tools



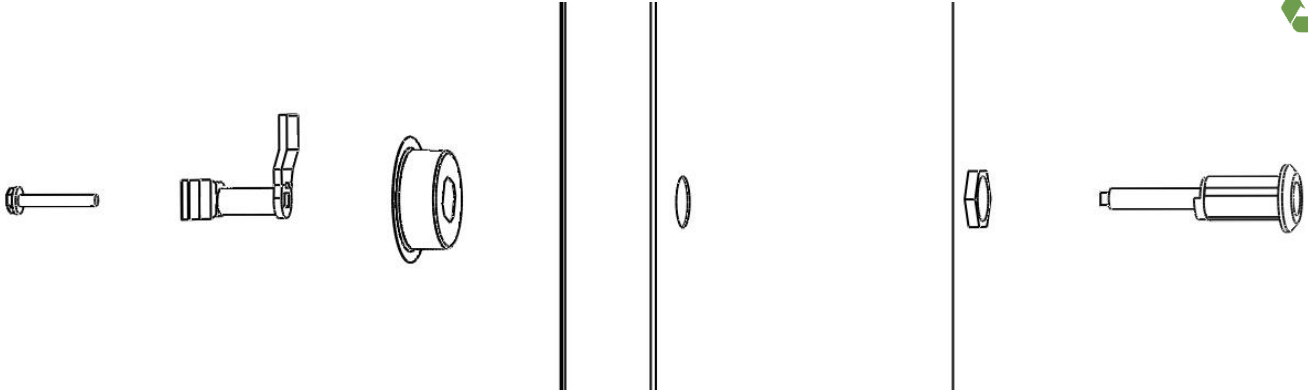
Cowl & Louvre



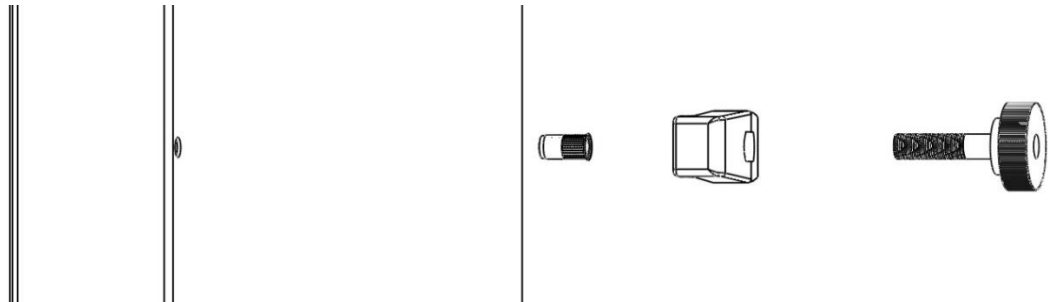
Coils



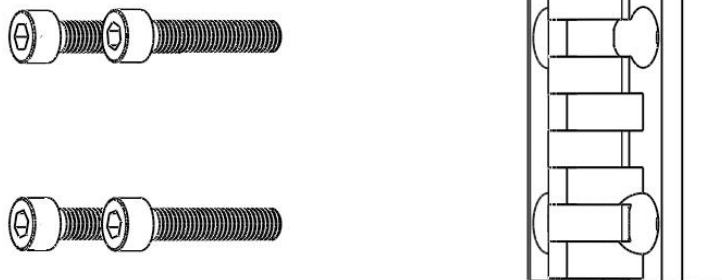
Door Lock



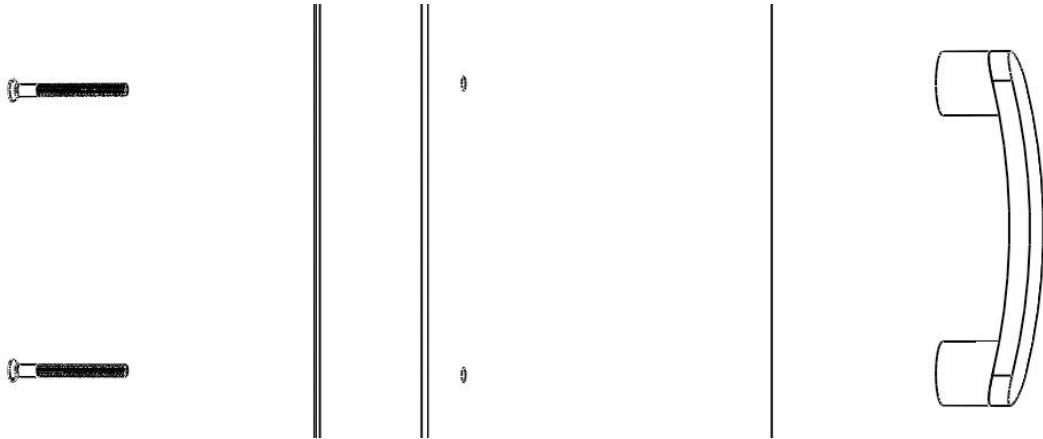
Door Clamp



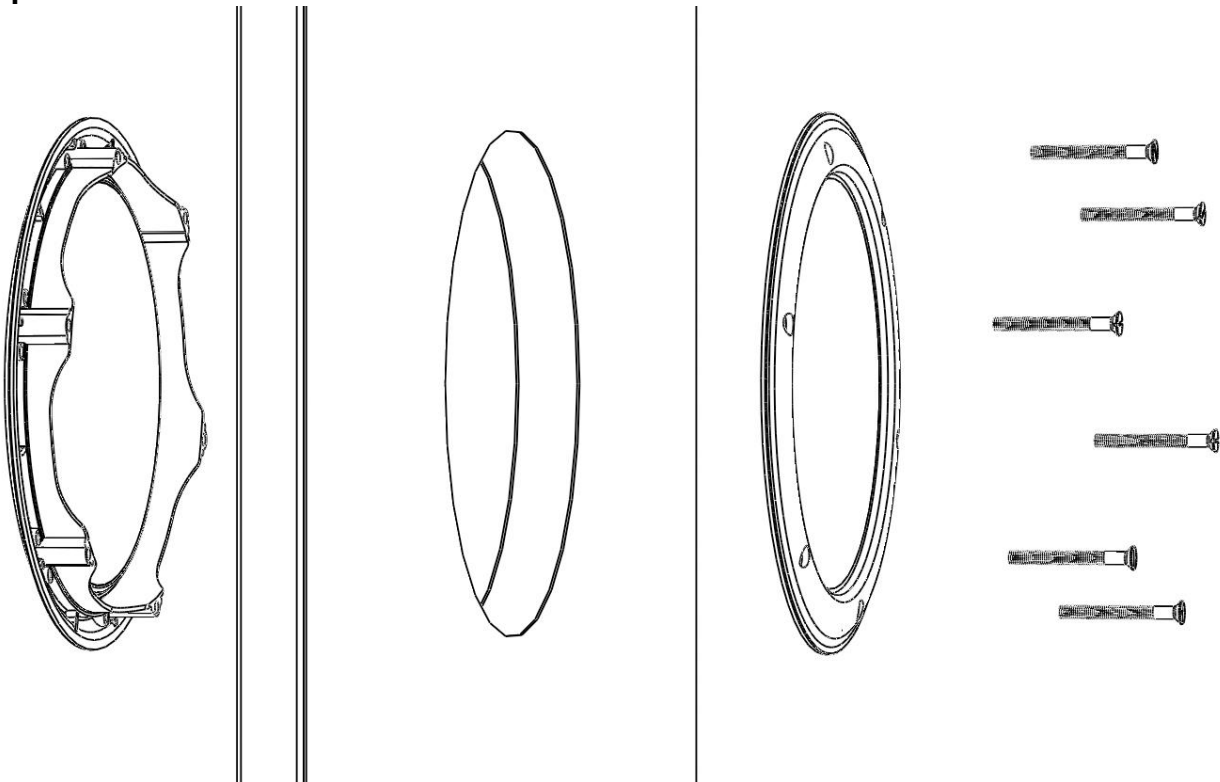
Hinge



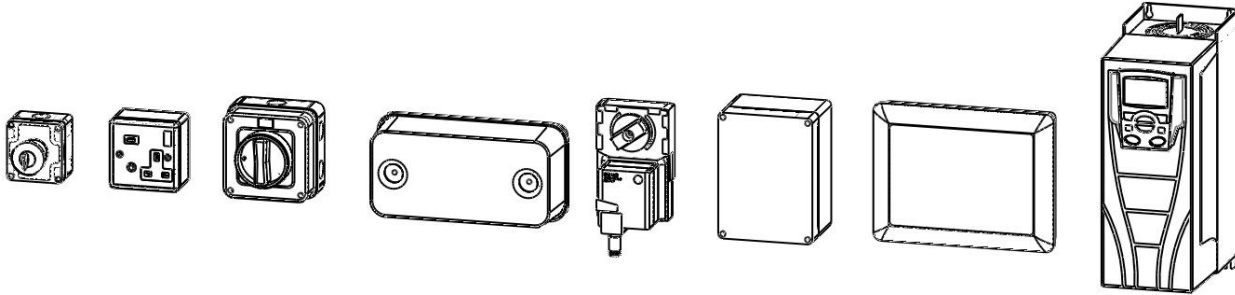
Handle



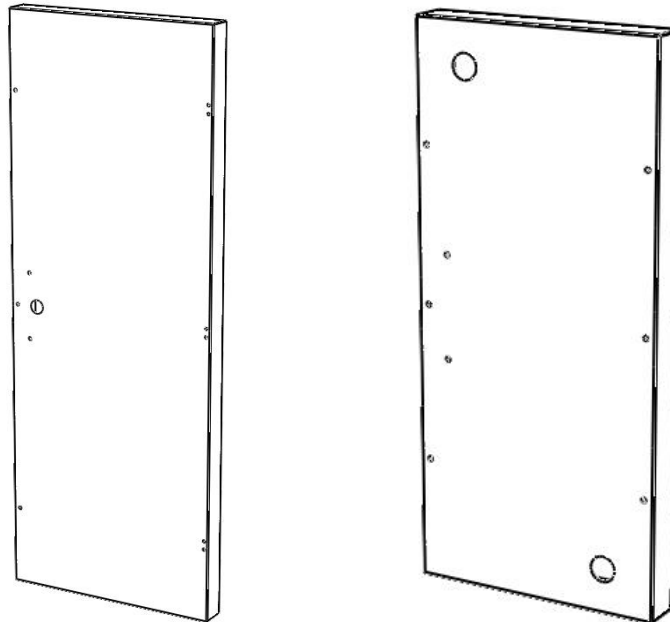
Viewport



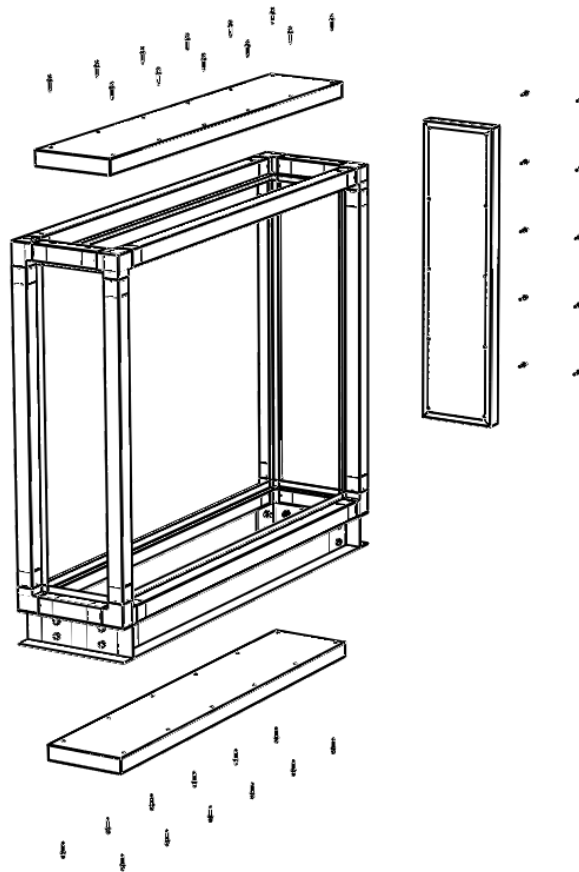
Electrical Items



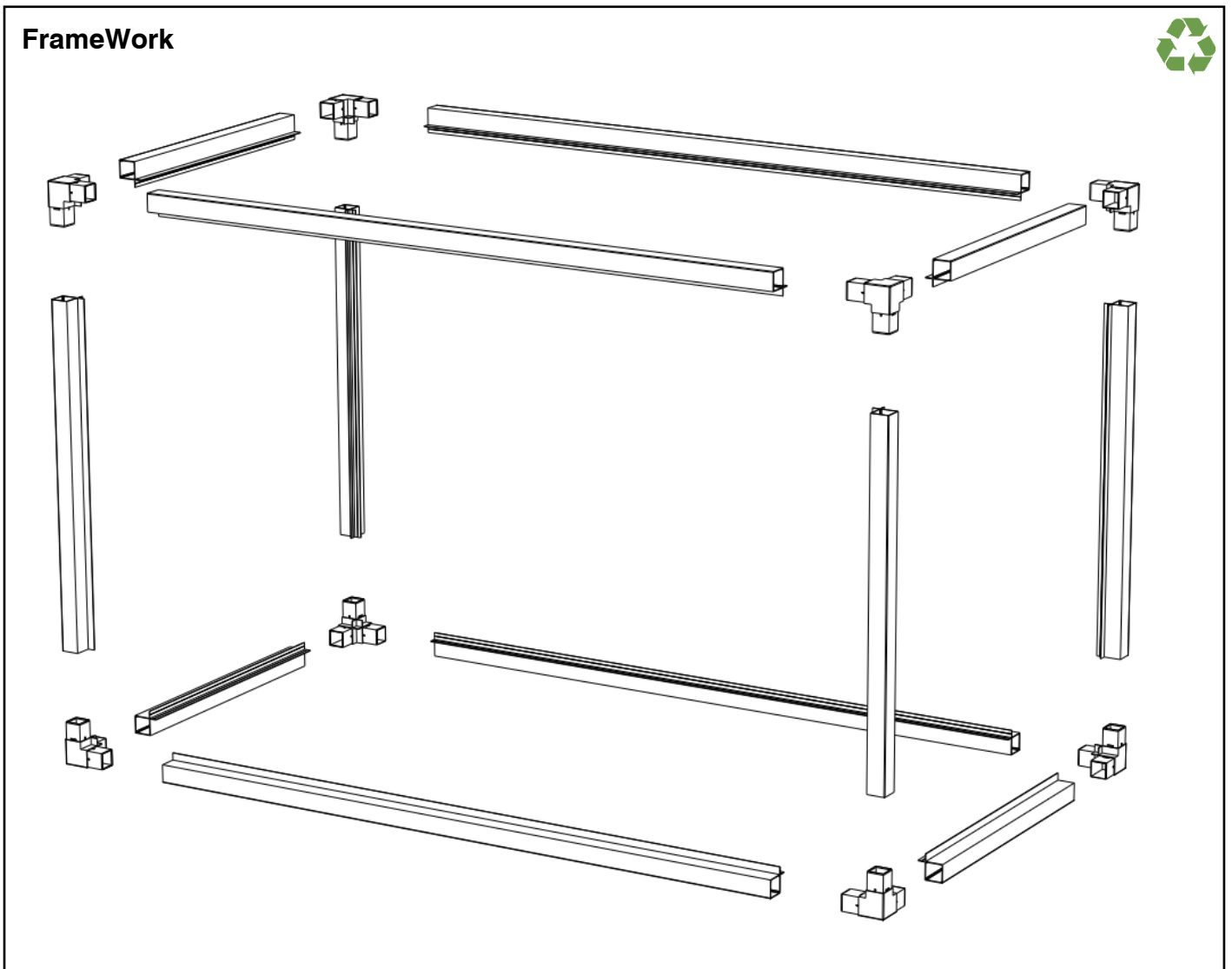
Panels



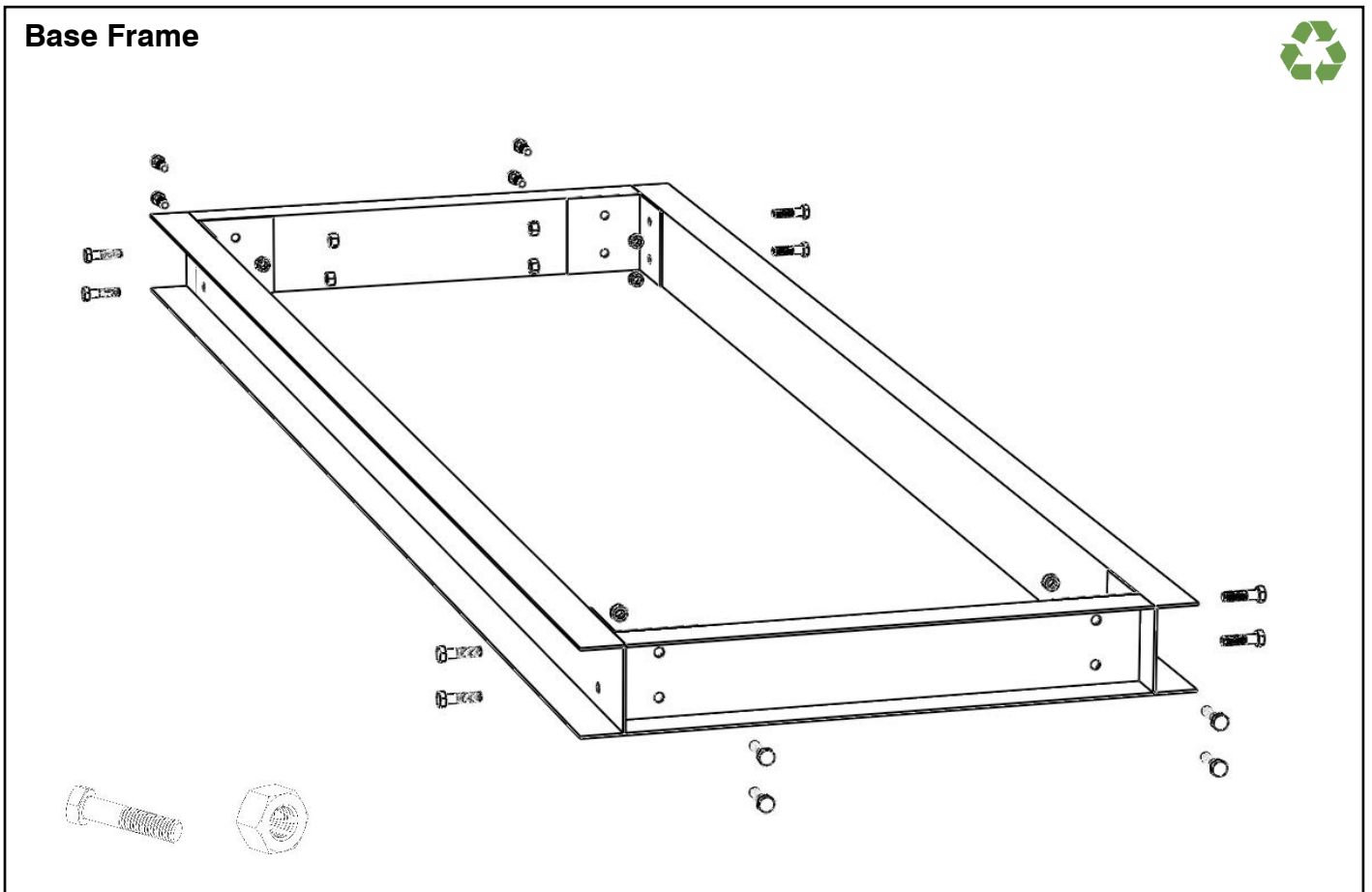
Fixed Panels



FrameWork



Base Frame



Typical Exploded Configuration

