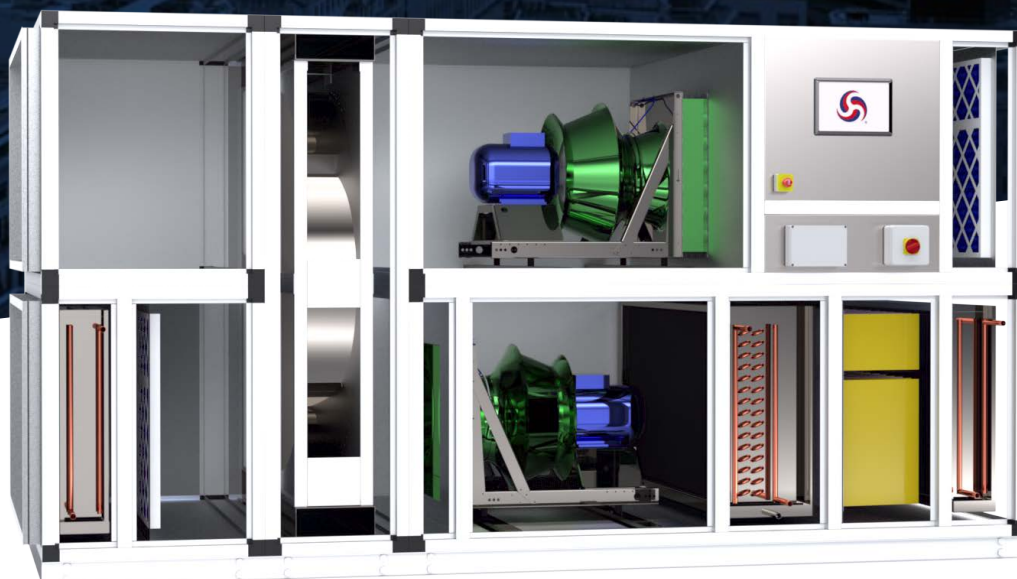


Rotary Exchanger Aluminium Units

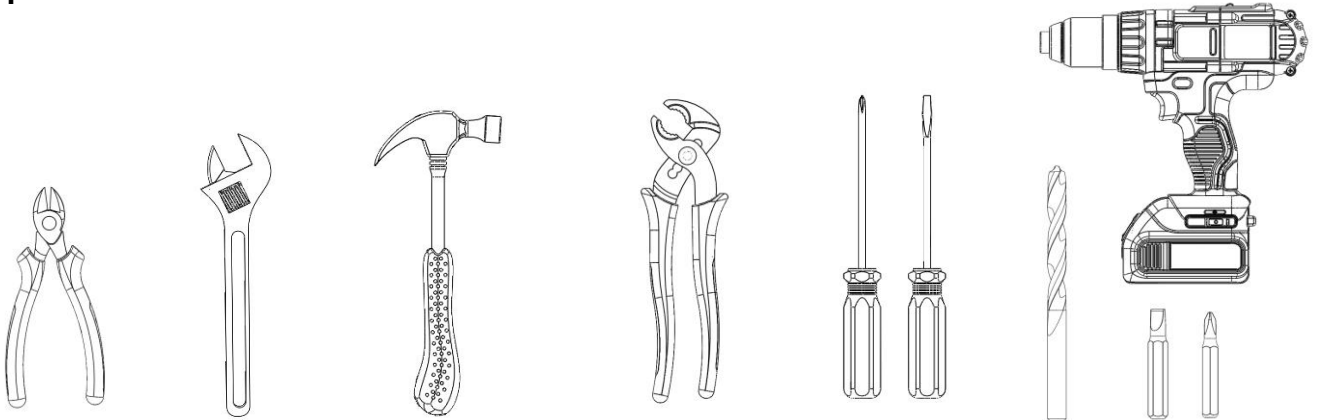


Recycling Instructions

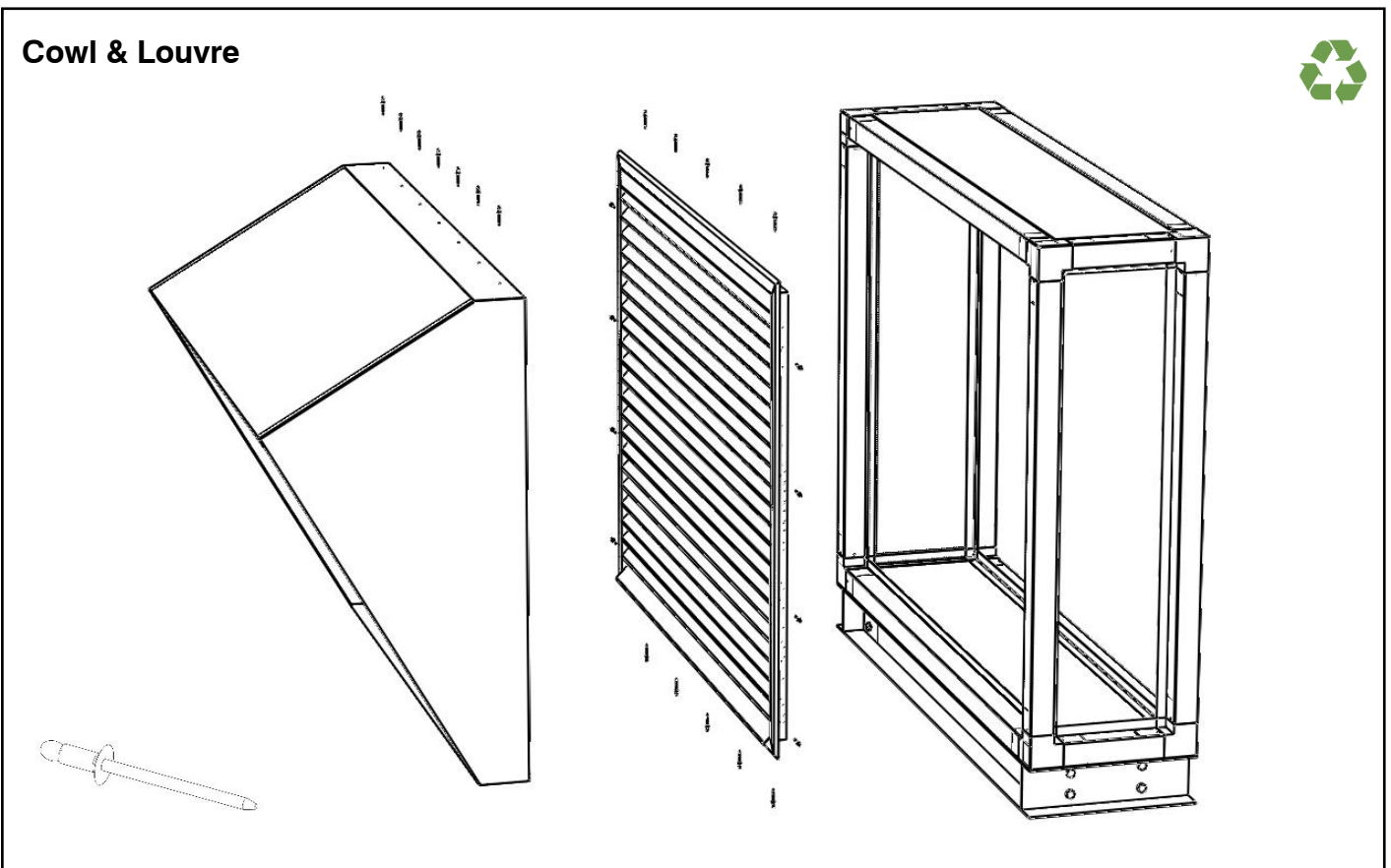




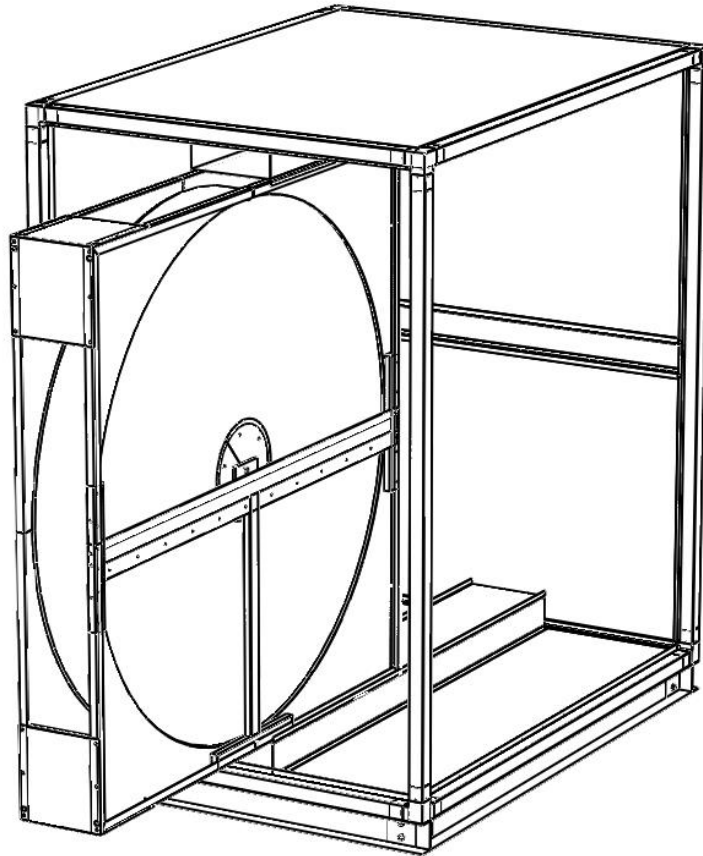
Required Tools



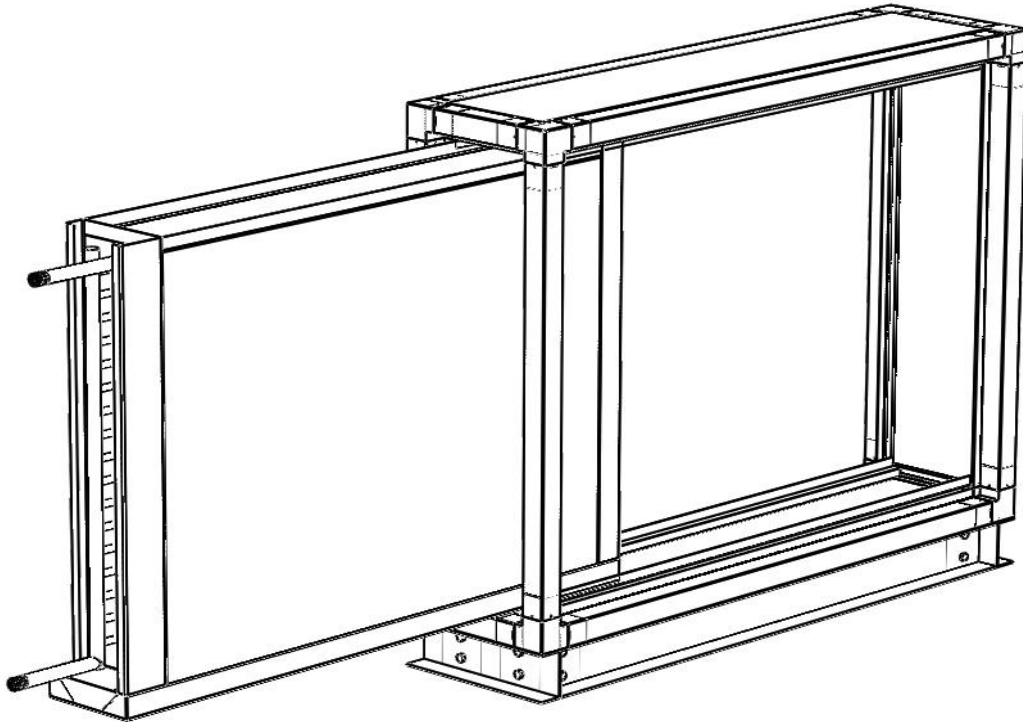
Cowl & Louvre



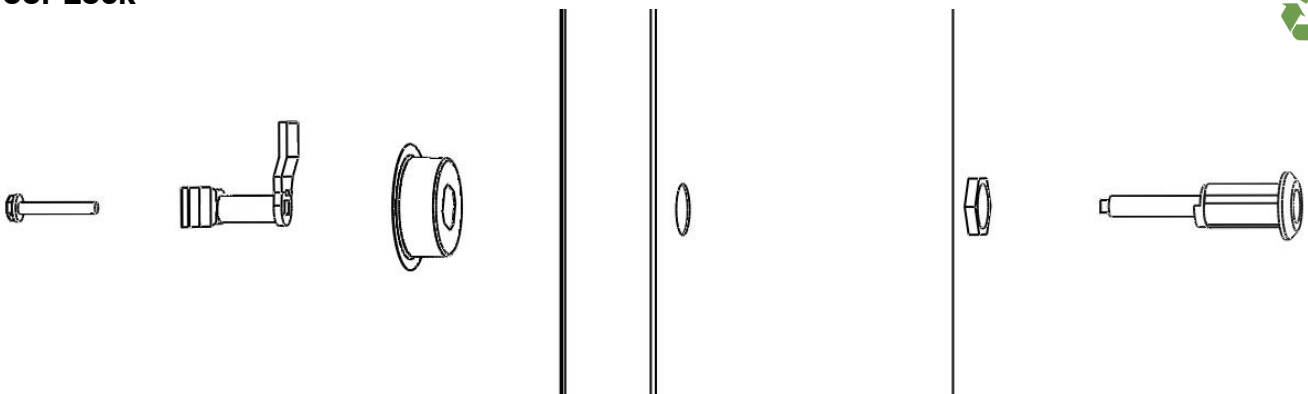
Rotary Exchanger Aluminium



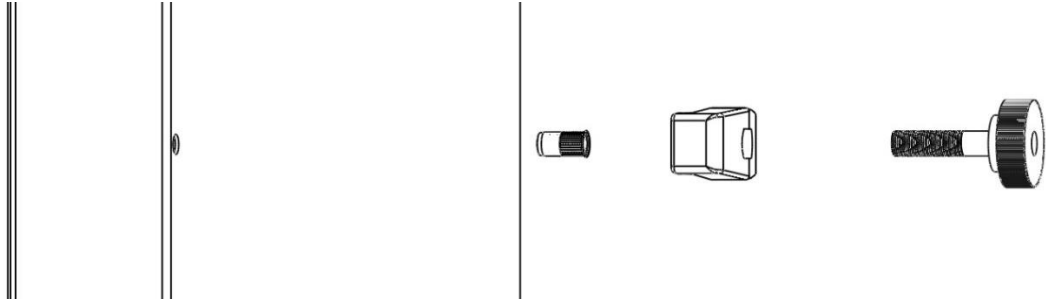
Coils



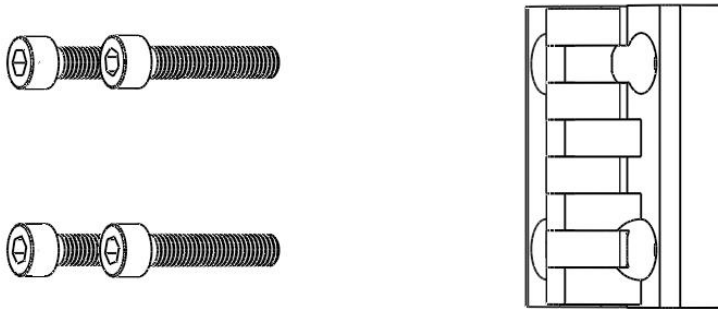
Door Lock



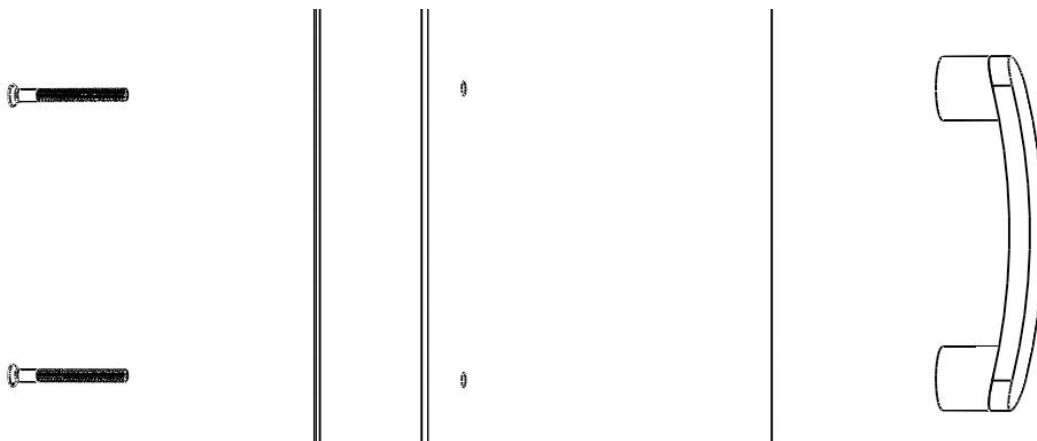
Door Clamp



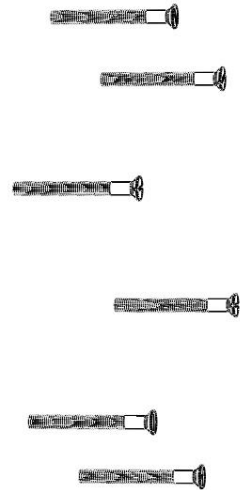
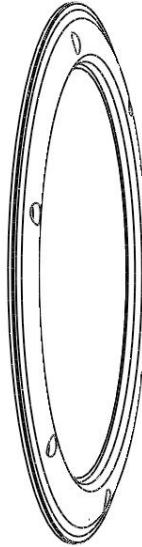
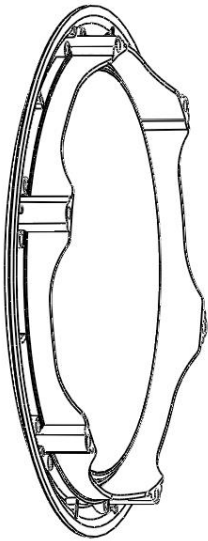
Hinge



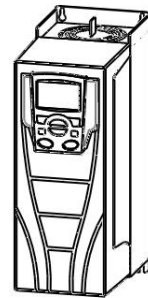
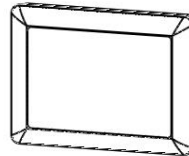
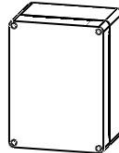
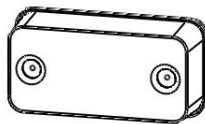
Handle



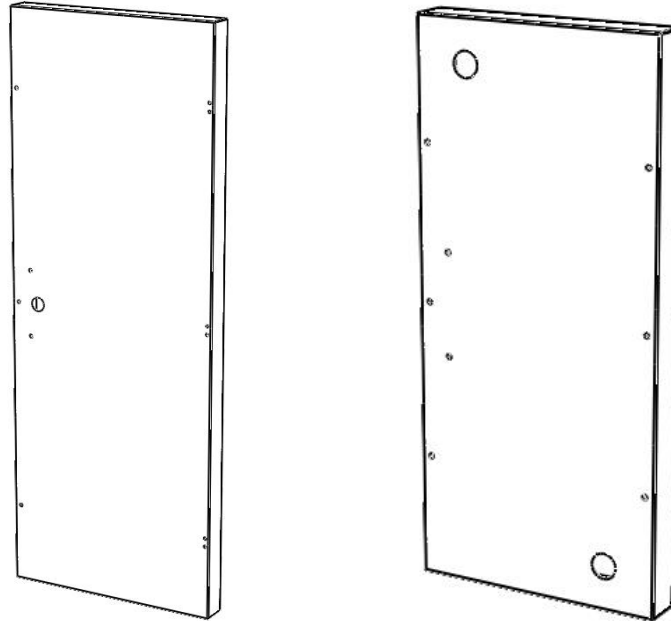
Viewport



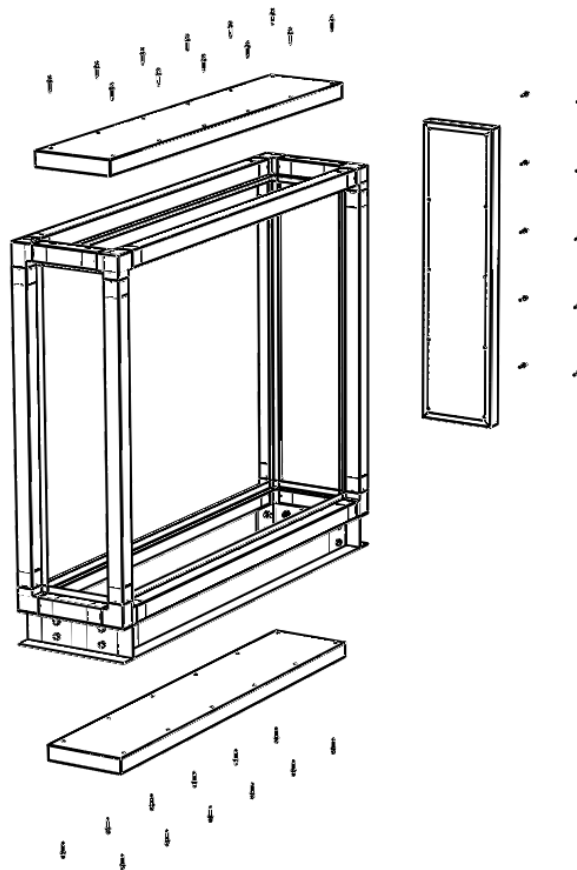
Electrical Items

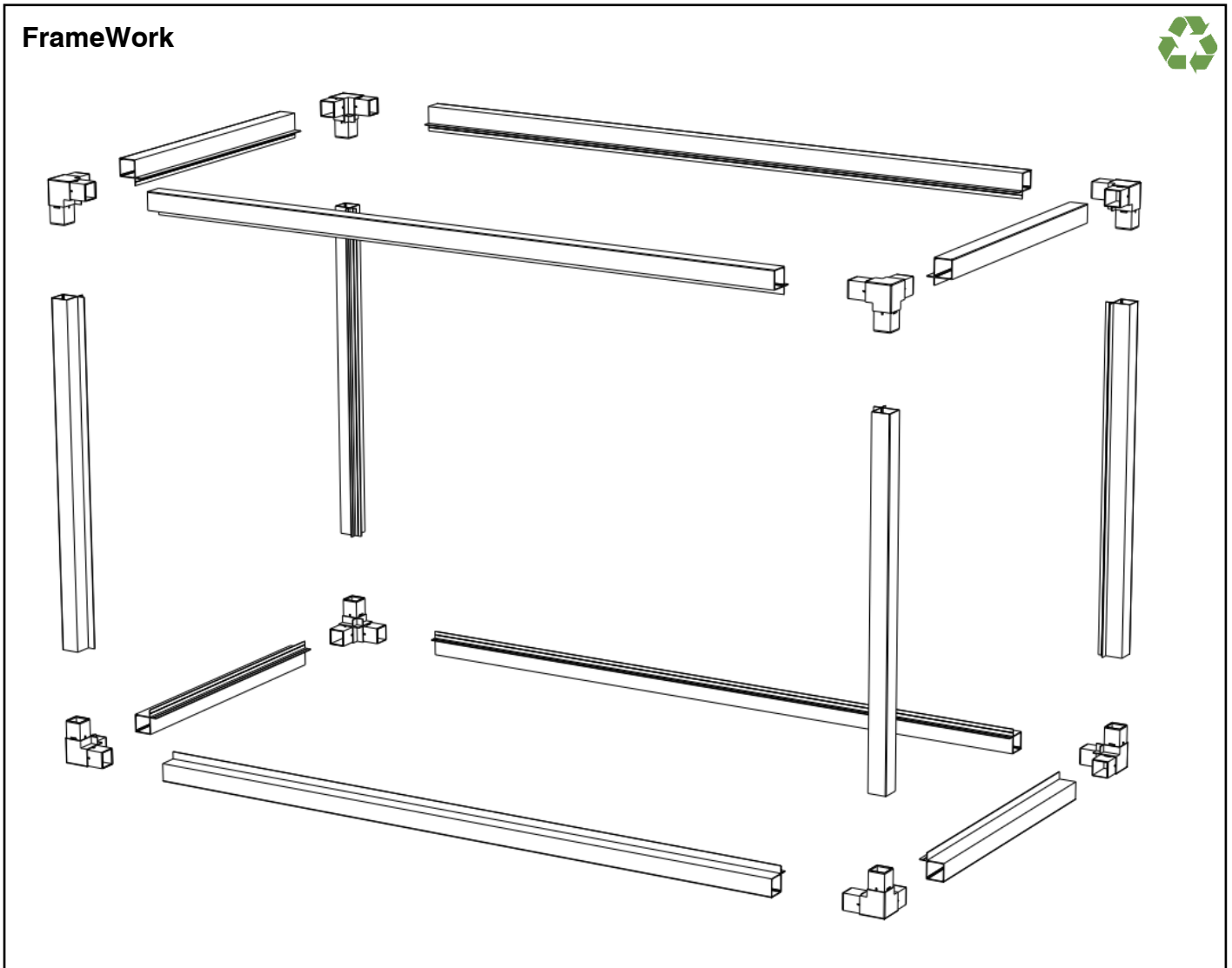


Panels

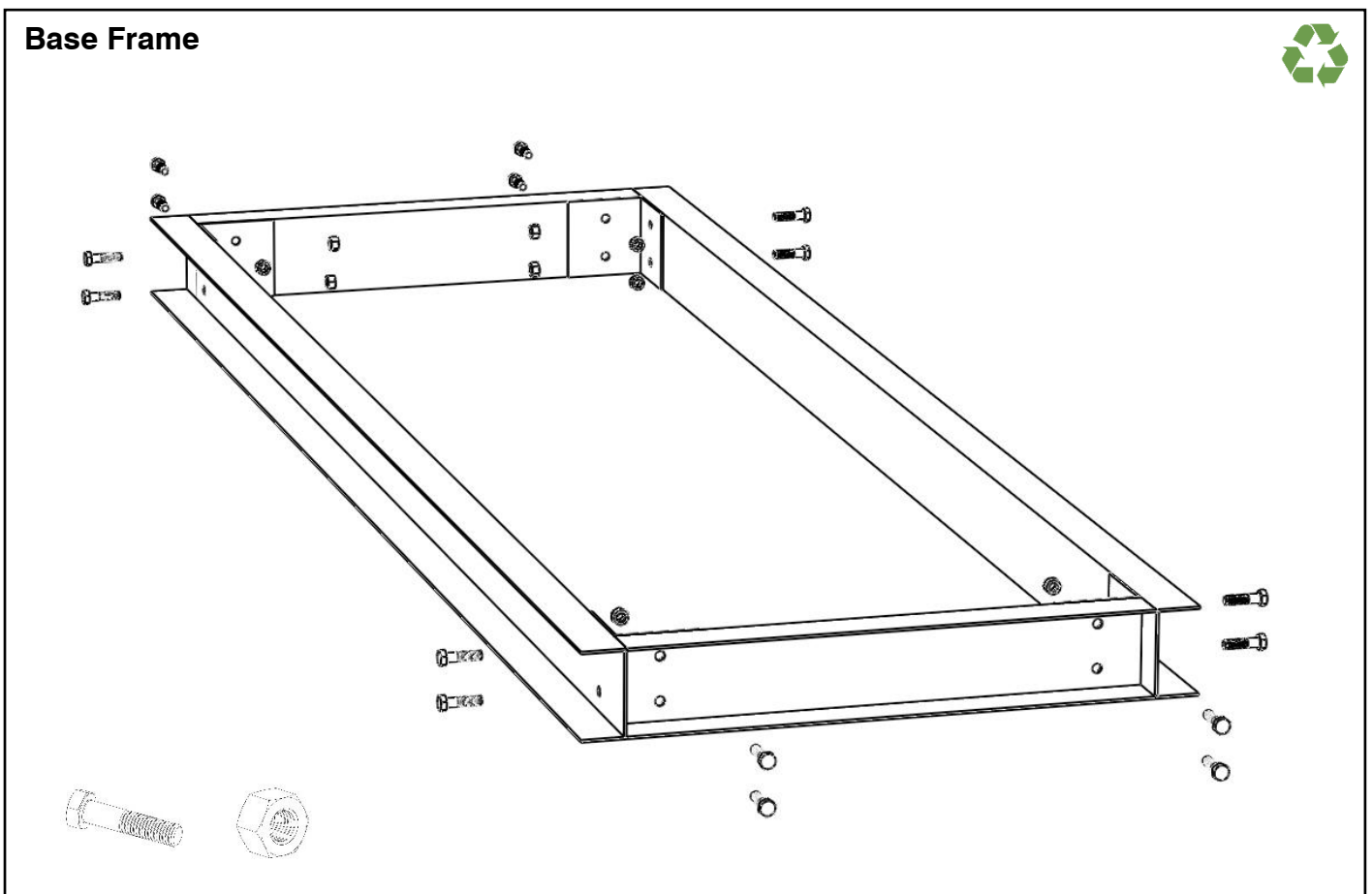


Fixed Panels





Base Frame



Typical Exploded Configuration

