

Important: Retain these instructions

These instructions shall be used by trained service personnel only. If the equipment is used in a manner not specified by these instructions, the protection provided by the equipment may be impaired.

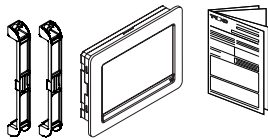
<https://partners.trendcontrols.com>



CONTENTS

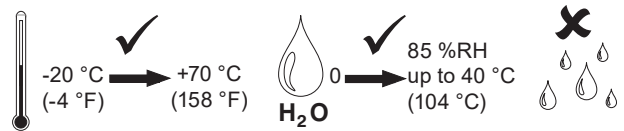
1	Box contents.....	1	3.4	Installation - Power up.....	8
2	Storing	1	3.5	Installation - Wiring	9
3	Installation	1	3.6	Installation - Connect Cables.....	10
3.1	Installation - Mounting.....	1	4	End User Licence Agreement.....	12
3.2	Installation - On a Wall.....	4	5	Cleaning and Maintenance	12
3.3	Installation - In a Dry Partition Wall	6	6	Disposal.....	12

1 BOX CONTENTS



IQ®View8 Installation Instructions (TG201232)

2 STORING (Altitude: <2000 m (6562'))



3 INSTALLATION

WARNING Do not attempt to open the unit. Failure to comply may cause damage to the unit.

It is recommended that the installation should comply with the local electrical safety installation practices (e.g. HSE Memorandum of Guidance on Electricity at Work Regulations 1989, USA National Electric Code).

Labels used on IQVIEW8

	Service button
	Connector for Trend current loop network
	Connector for relay output
	Memory card slot

	USB A connector
	RJ11 (FCC68) connector for RS232 connection
	Ethernet connector
	Connector for 24 Vac/dc input power. ⊥ AC power line return

3.1 Installation - Mounting

1 Dimensions

IQVIEW8 (with mounting brackets)

255 mm (10.02")
239 mm (9.42")
230.0 mm (9.05")
48 mm (1.88")
37.7 mm (1.48")
30 mm (1.19")
90 mm (3.54")
175 mm (6.9")

continued over page

IQVIEW8 SURFACE MOUNTING BOX (Surface Mounting)

243.5 mm (9.6")
46.5 mm (1.83")
202.5 mm (8")

3.1 Installation- Mounting (continued)

1 Dimensions (continued)

IQVIEW8 DRY PARTITION WALL BOX (In Wall Mounting)

220 mm (8.66")

60 mm (2.36")

170 mm (6.7")

Operating Altitude: <2000 m (6562')

-10 °C (+14 °F) ✓ → +60 °C (+140 °F) ✓

0 %RH H₂O ✓ → 85 %RH up to 40 °C (104 °C) ✓

2 Mounting Requirements

Unit is UL rated as 'UL916 listed open energy management equipment'.

3 Remove Connectors

Important: Keep connectors

4 Check Gasket is in Position

5 Select Mounting Method

IQVIEW8, when configured as recommended, is designed to increase the security of files present or transferred on the removable media (SD card and USB stick). However, for additional security if the unit is in an area of unrestricted access, the panel mount option must be used and the panel door must be locked. Surface mount and in wall mount options give easy access to the removable media and cables and therefore must not be used.

Panel Mounting

Go to step 6 on page 3

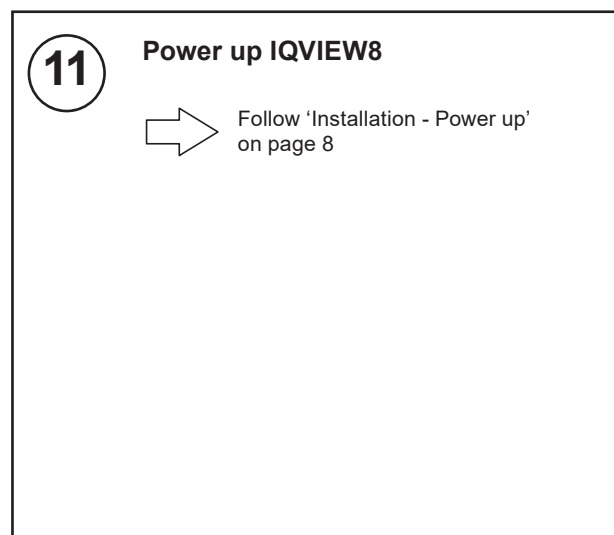
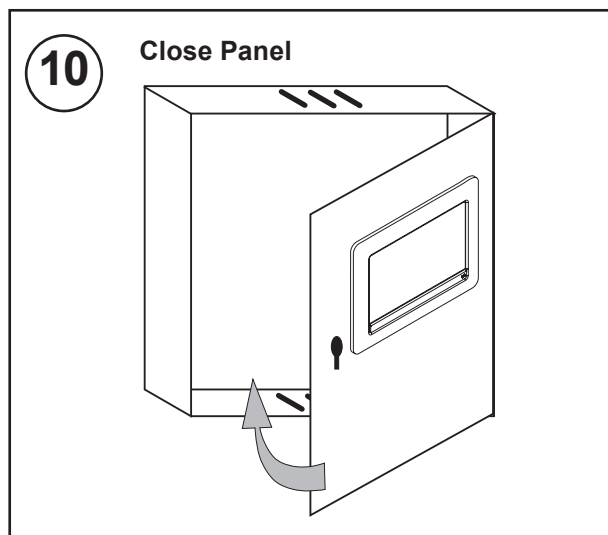
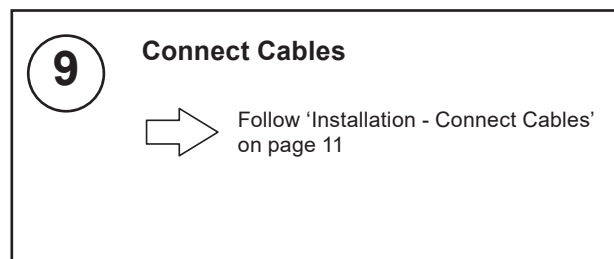
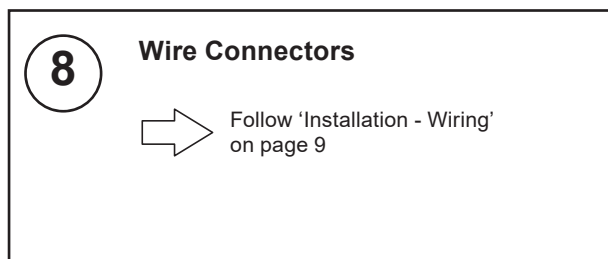
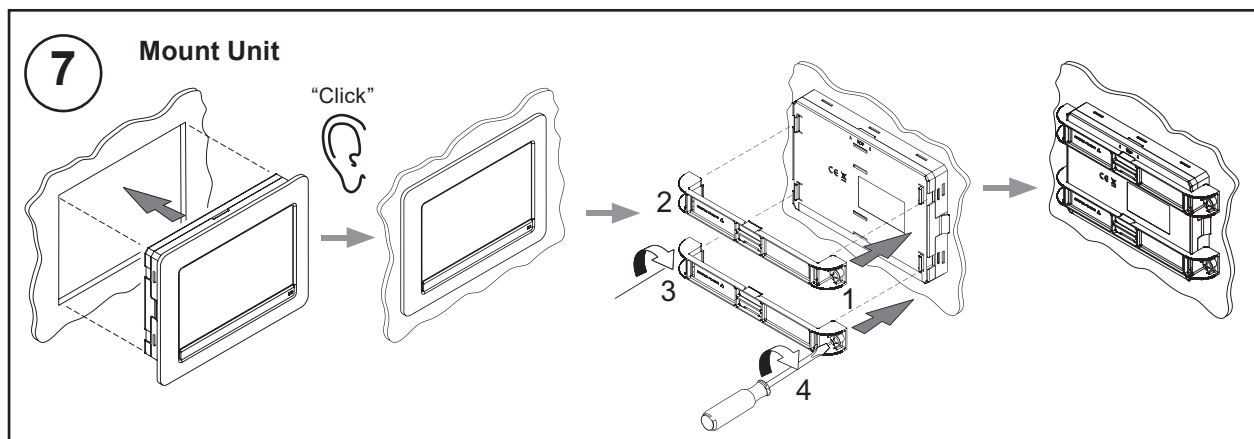
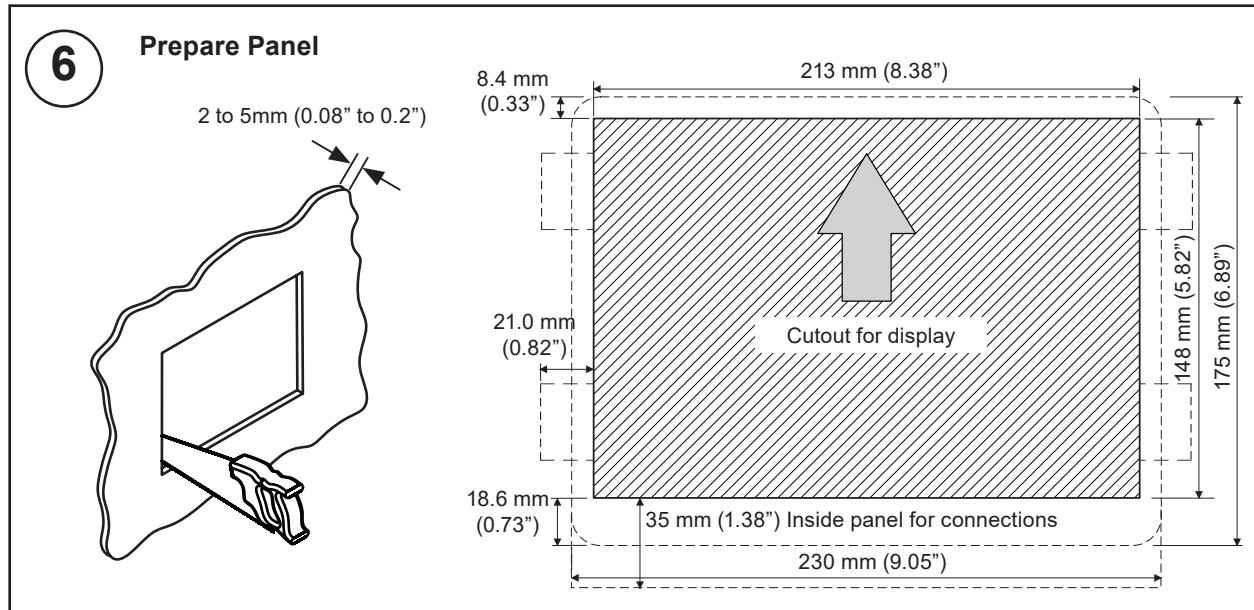
Surface Mounting

Go to section 3.2 page 4

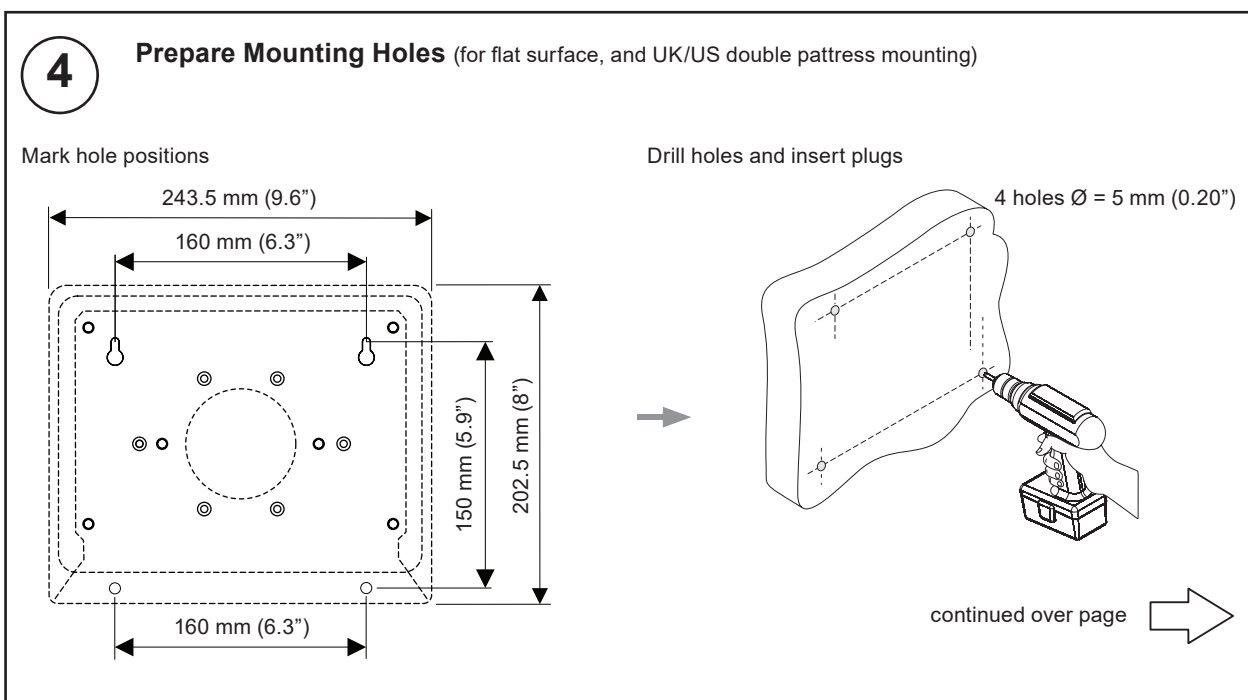
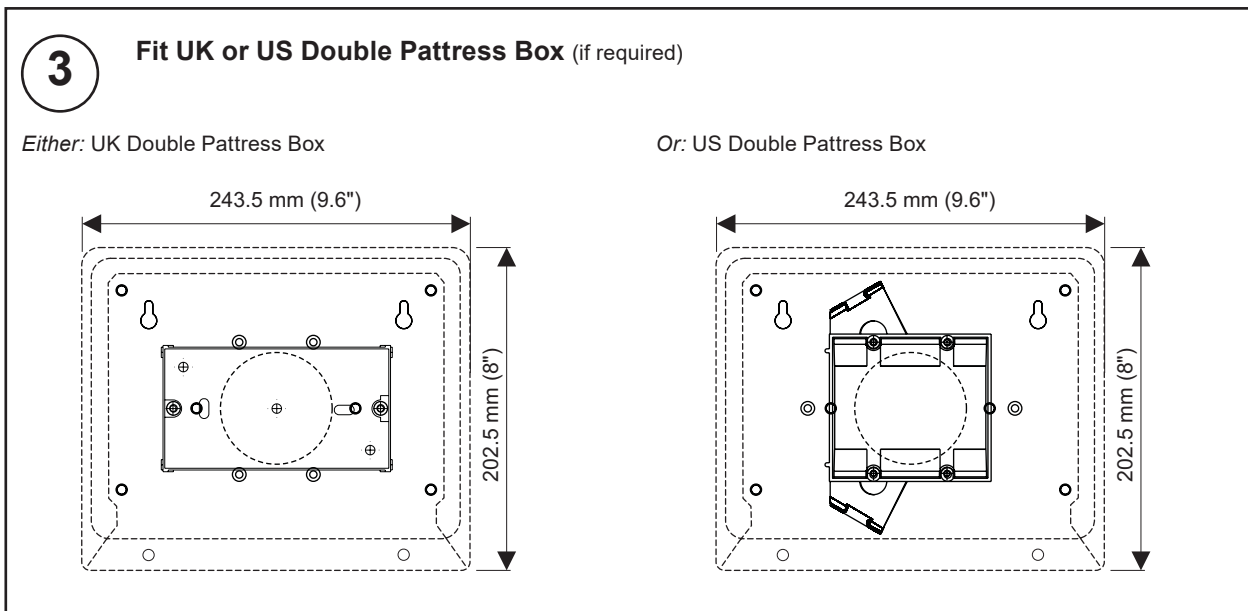
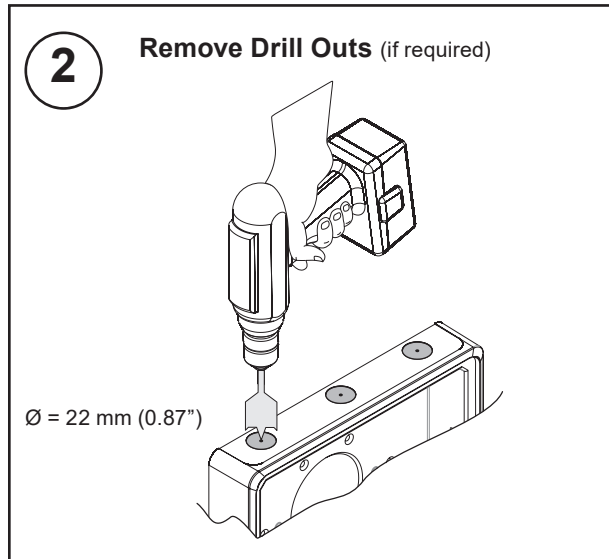
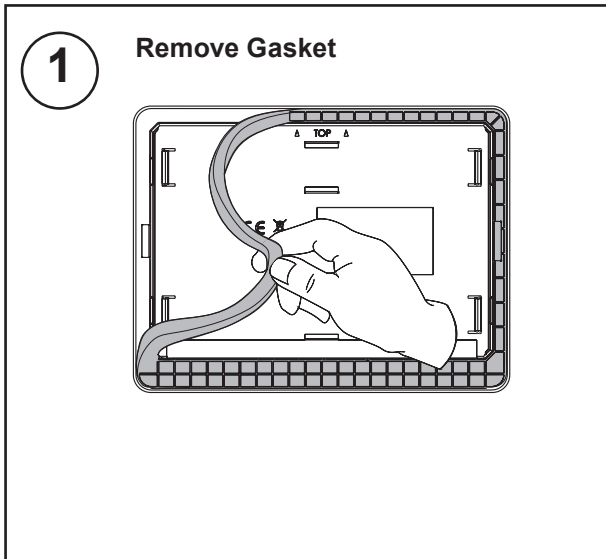
In Wall Mounting

Go to section 3.3 page 6

3.1 Installation- Mounting (continued)



3.2 Installation - On a Wall (Requires IQVIEW8 SURFACE MOUNTING BOX sold separately)



3.2 Installation - On a Wall (continued)

4 Prepare Mounting Holes (for flat surface, and UK/US double pattress mounting) (continued)

Insert top 2 screws

3 mm (0.12")

5 Mount Enclosure

Either: UK Double Pattress Box

Or: US Double Pattress Box

Then: (for flat surface and UK/US double pattress box)

6 Route Cables

Either: Using Drill outs

If routing cables through the drill outs run the cables to into the enclosure using 20 mm gable glands (not supplied).

Or: into rear of enclosure

If routing cables from a pattress box run the cable to the pattress box as required, and then into the rear of the enclosure.

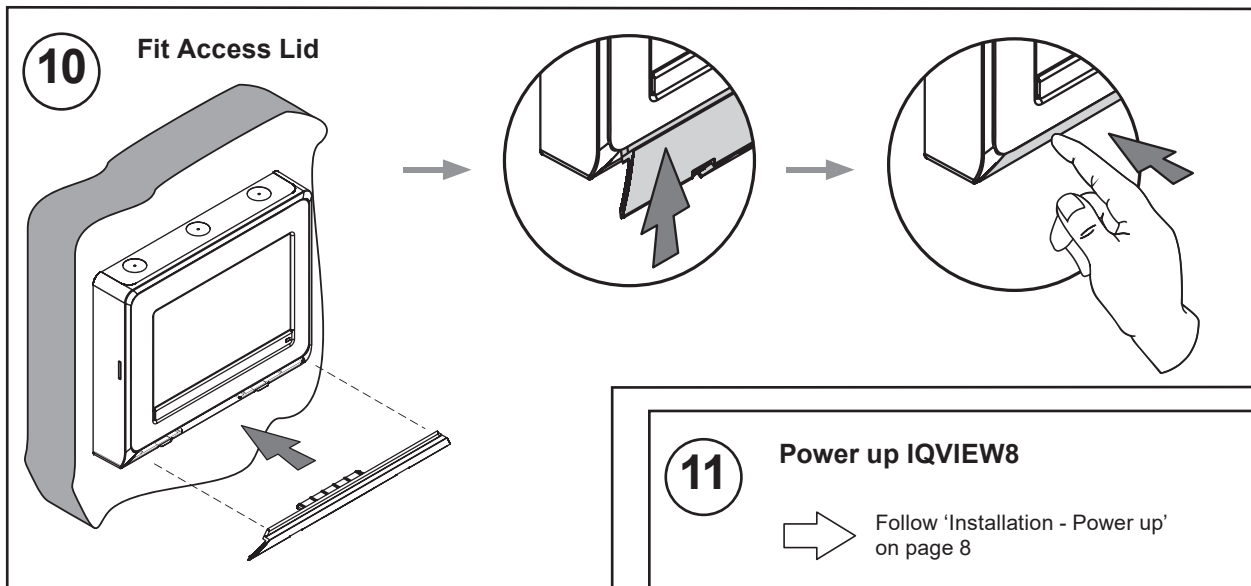
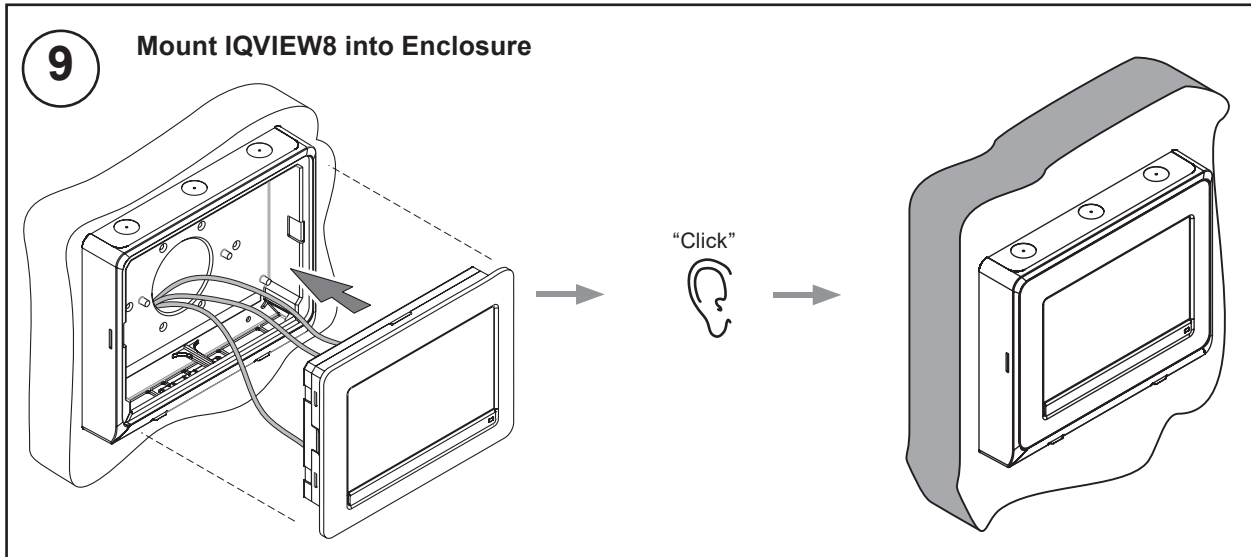
7 Wire Connectors

➔ Follow 'Installation - Wiring' on page 9

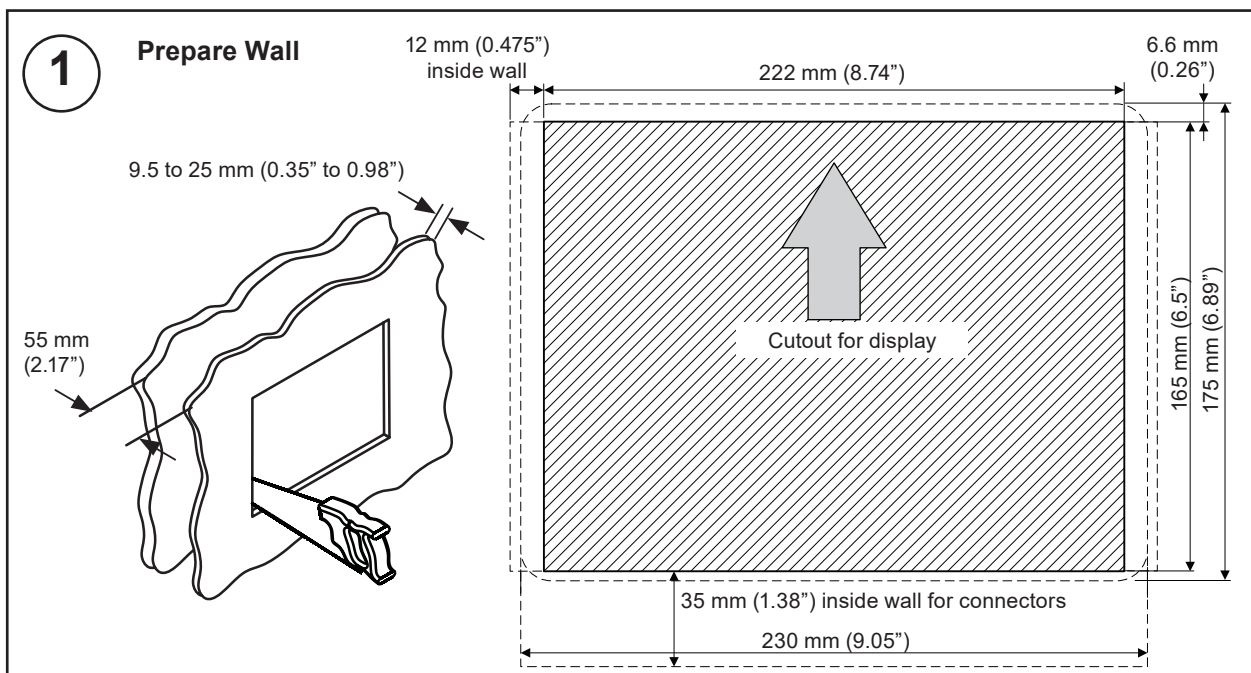
8 Connect Cables

➔ Follow 'Installation - Connect Cables' on page 11

3.2 Installation- On a Wall (continued)



3.3 Installation - In a Dry Partition Wall (Requires IQVIEW8 DRY PARTITION WALL BOX sold separately)



3.3 Installation - In a Dry Partition Wall (continued)

2 Remove Gasket

3 Mount Chassis

Loosen locking screws

4 places

Insert chassis in hole

Adjust brackets

4 places

Tighten adjustment screws

4 places

Tighten locking fixing screws

4 places

4 Route Cables

Either: into Rear of Chassis

Cables can be routed inside the wall and into the rear of the chassis.

Or: Bottom Edge

Cables can be routed inside the wall and through the bottom edge of the chassis.

Or: Top Edge

3.3 Installation - In a Dry Partition Wall (continued)

5 Wire Connectors

➔ Follow 'Installation - Wiring' on page 9

6 Connect Cables

➔ Follow 'Installation - Connect Cables' on page 11

7 Mount IQVIEW8 into Chassis

"Click"

8 Power up IQVIEW8

➔ Follow 'Installation - Power up' on page 8

3.4 Installation - Power up

1 Read Licence

➔ Read and agree to the end user licence agreement, see section 4.

2 Switch On

3 Check Indicators

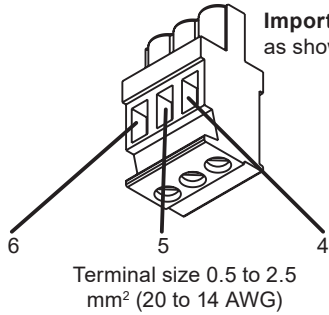
	Normal Operation ✓	Fault ✗
Power	💡 Orange	💡 Check power supply

4 Configure

IQVIEW8 Configuration Manual (TE201233). Refer to the 'Securing IQVIEW8' section of the manual for details on how to secure IQVIEW8.

3.5 Installation - Wiring

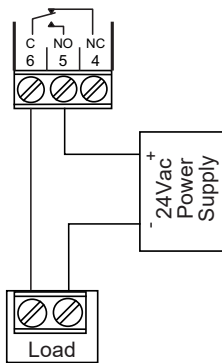
1 Wire Relay Connector (if required for alarm notification)



Important: Orientate connector as shown.

Note: For UL rating CU only cable must be used.

On when Alarm present (Relay energised)



AC rating: 60 VA. e.g 30 Vac max @ 2 A, 24 Vac @2.5 A

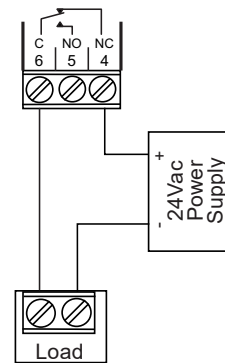
DC rating: 60 W. e.g 40 Vdc max @ 1.5 A, 24 Vdc @ 2.5 A

Do not connect 230V input power to this connector.

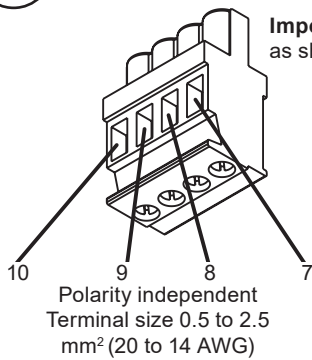
Arc suppression recommended.

Relay Output Arc Suppression Installation Instructions (TG200208)

On when Alarm not present (Relay off)

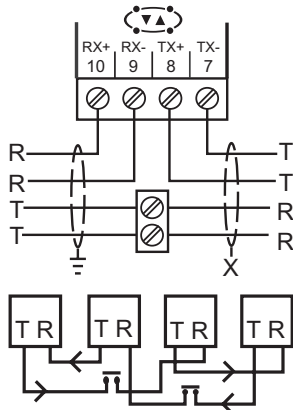


2 Wire Current Loop (if required for network connection)



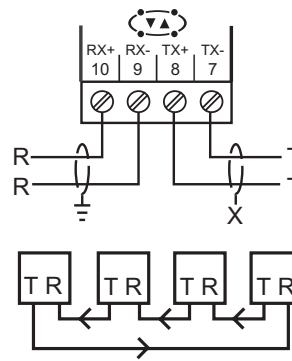
Important: Orientate connector as shown.

4 wire

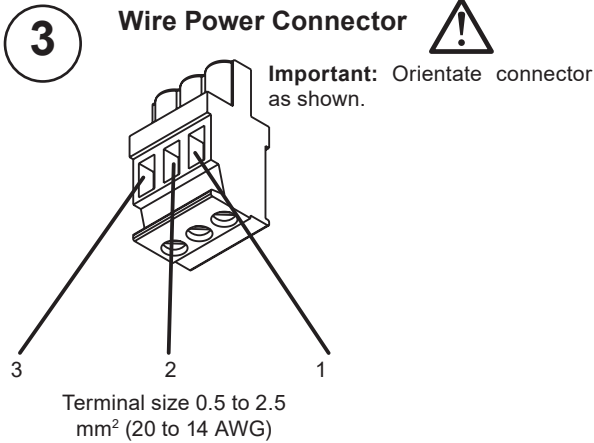


Cable	1k2 baud	4k8 baud	9k6 baud	19k2 baud	No. of Wires
Belden 9182	1000 m (1090 yds)	1000 m (1090 yds)	1000 m (1090 yds)	700 m (765 yds)	2
Belden 9207	1000 m (1090 yds)	1000 m (1090 yds)	1000 m (1090 yds)	500 m (545 yds)	2
Trend TP/1/1/22/ HF/200 (Belden 8761)	1000 m (1090 yds)	1000 m (1090 yds)	700 m (765 yds)	350 m (380 yds)	2
Trend TP/2/2/22/ HF/200 (Belden 8723)	1000 m (1090 yds)	1000 m (1090 yds)	500 m (545 yds)	250 m (270 yds)	4

2 wire




3.5 Installation - Wiring (continued)



Note: For UL rating the input power connections must be made using 18 AWG or larger wire rated at least 90°C.

24 Vac ±15% 50/60 Hz at 20 VA minimum or 24 Vdc 440 mA, 10.5 W. For dc a dc supply with a minimum output of 600 mA is recommended.

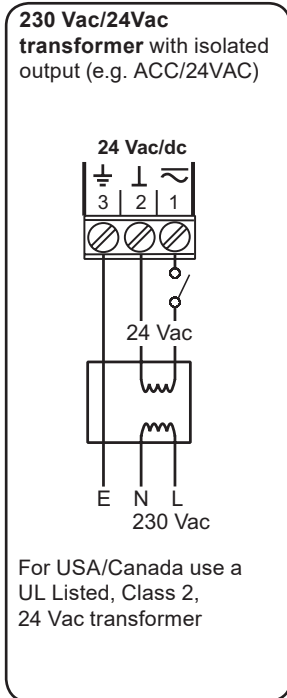
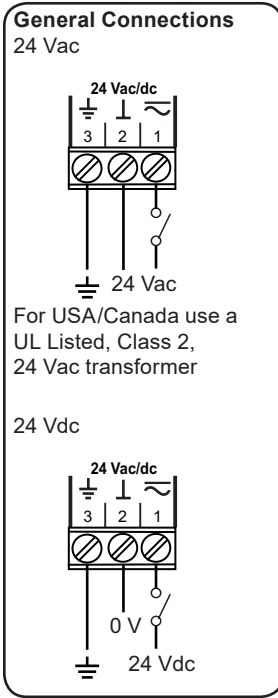


DO NOT SWITCH ON POWER

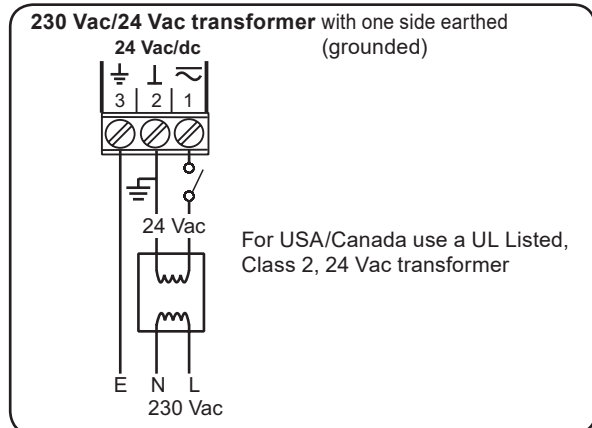
Do not connect 230V input power to this connector.

WARNING: This apparatus must be earthed (grounded) via input supply earth (ground) terminal. The earth (ground) on this unit is NOT a protective earth (ground), but it is essential that an earth is fitted for functional reasons.

Input power supply: The 24V supply must include a suitably rated switch in close proximity and be clearly marked as the disconnecting device for the unit. Do not position the equipment so that the disconnecting device is difficult to operate.

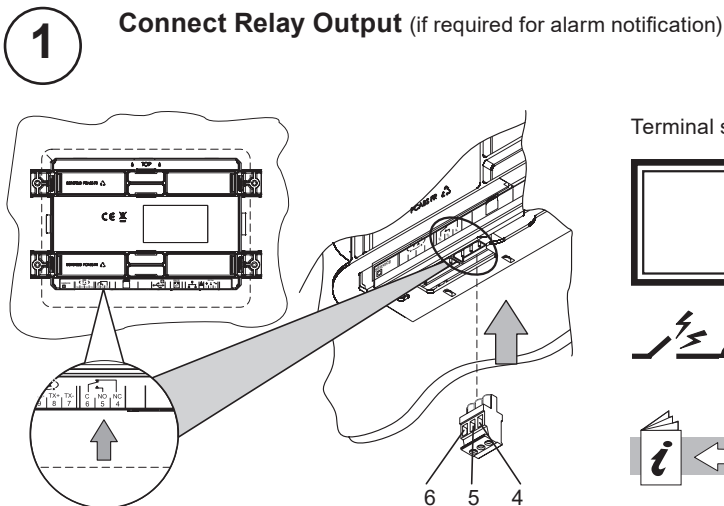


Note: The required power cannot be provided by a controller's auxiliary supply output; a separate supply is required.




Some transformers are earthed (grounded) on one side of the secondary. If so ensure the earthed (grounded) side is connected to the central terminal of the power connector. If the polarity of the connection is incorrect the unit will not power up. If this happens swap the connections to the right (↔) and central (⊥) terminals.

3.6 Installation - Connect Cables



Do not connect 230V input power to this connector.

 Arc suppression recommended.

 Relay Output Arc Suppression Installation Instructions (TG200208)

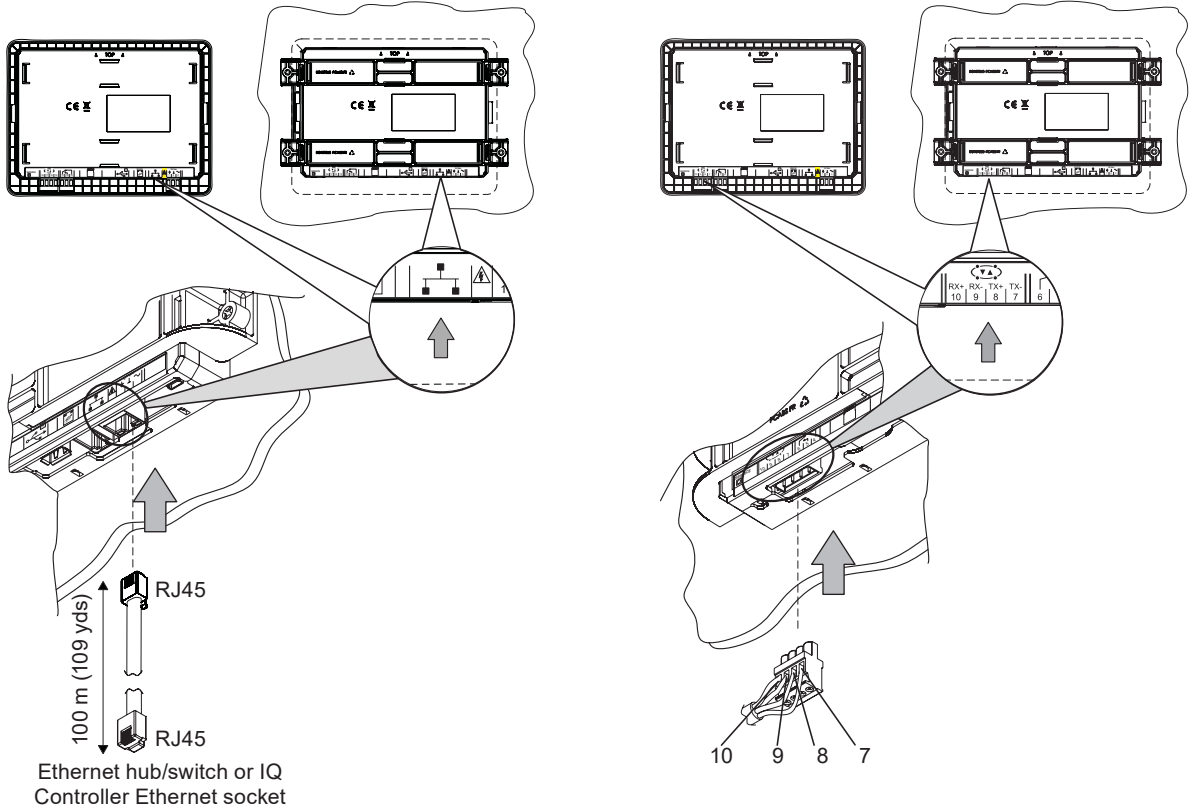
3.6 Installation - Connect Cables (continued)

2 Connect Network Cable

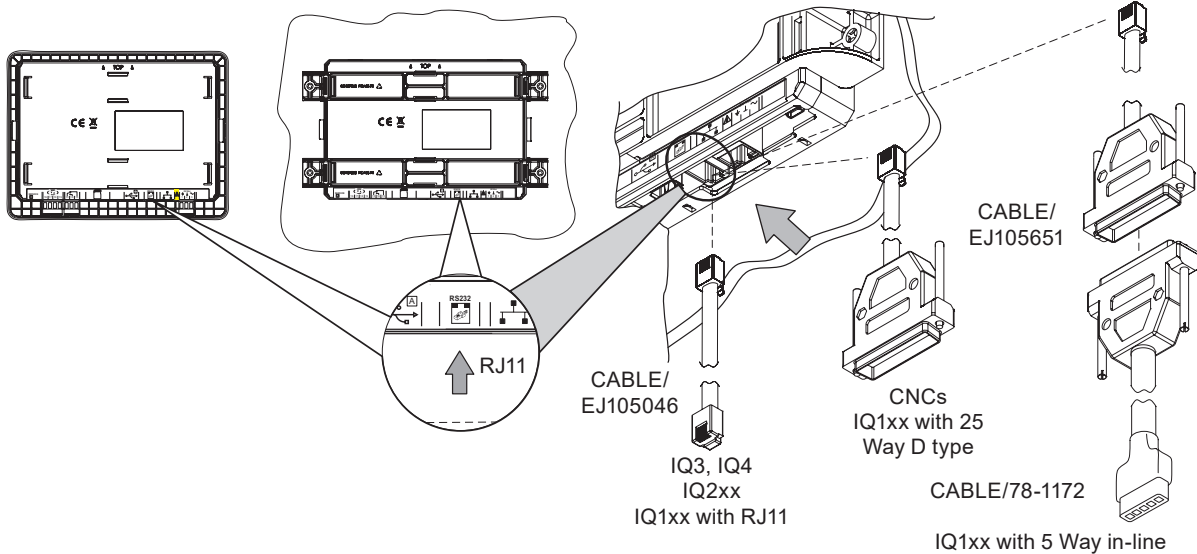
Either: Ethernet

Or: Current Loop

Note: When connected to an IQ controller's Ethernet socket the controller's vCNC must be set up.



Or: RS232



Connecting to	Cable Required
IQ4, IQ3, IQ2xx, or IQ1xx with RJ11 connector	RJ11 to RJ11 cable with a twist (CABLE/EJ105046).
CNCs, or IQ1xx with 25 Way D type connector	RJ11 to 25 way D type cable (CABLE/EJ105651).
IQ1xx with 5 way in-line connector	RJ11 to 25 Way D type cable (CABLE/EJ105651) and 25 way D type socket to 5 in-line adapter cable (CABLE/78-1172).

3.6 Installation - Connect Cables (continued)

3 Connect Power Cable

DO NOT TURN ON POWER

Do not connect 230V input power to this connector.

WARNING: This apparatus must be earthed (grounded) via input supply earth (ground) terminal. The earth (ground) on this unit is NOT a protective earth (ground), but it is essential that an earth is fitted for functional reasons.

Input power supply: The 24V supply must include a suitably rated switch in close proximity and be clearly marked as the disconnecting device for the unit.

4 END USER LICENCE AGREEMENT

You have acquired an IQVIEW8 (“Device”) that includes software licensed by Trend Control Systems Ltd from one or more software licensors (“Trend Control Systems Ltd Software Suppliers”). Such software products, as well as associated media printed materials and “online” or electronic documentation (“SOFTWARE”) are protected by international intellectual property laws and treaties. The SOFTWARE is licensed, not sold. All rights reserved.”

IF YOU DO NOT AGREE TO THIS END USER LICENSE AGREEMENT (“EULA”), DO NOT USE THE DEVICE OR COPY THE SOFTWARE. INSTEAD, PROMPTLY CONTACT Trend Control Systems Ltd FOR INSTRUCTIONS ON RETURN OF THE UNUSED DEVICE(S) FOR A REFUND. ANY USE OF THE SOFTWARE INCLUDING BUT NOT LIMITED TO USE ON THE DEVICE will constitute your agreement to the EULA (or Ratification of any previous consent).

GRANT OF SOFTWARE LICENSE. This EULA grants you the following license:

- You may use the SOFTWARE only on the DEVICE
- NOT FAULT TOLERANT. THE SOFTWARE IS NOT FAULT TOLERANT. Trend Control Systems Ltd HAS INDEPENDENTLY DETERMINED HOW TO USE THE SOFTWARE IN THE DEVICE, AND Trend Control Systems Ltd’s software suppliers HAS RELIED UPON Trend Control Systems Ltd TO CONDUCT SUFFICIENT TESTING TO DETERMINE THAT THE SOFTWARE IS SUITABLE FOR SUCH USE.
- NO WARRANTIES FOR THE SOFTWARE. THE SOFTWARE is provided “AS IS” and with all faults. THE ENTIRE RISK AS TO SATISFACTORY QUALITY, PERFORMANCE, ACCURACY, AND EFFORT (INCLUDING LACK OF NEGLIGENCE) IS WITH YOU. ALSO, THERE IS NO WARRANTY AGAINST INTERFERENCE WITH YOUR ENJOYMENT OF THE SOFTWARE OR AGAINST INFRINGEMENT. IF YOU HAVE RECEIVED ANY WARRANTIES REGARDING THE DEVICE OR THE SOFTWARE, THOSE WARRANTIES DO NOT ORIGINATE FROM, AND ARE NOT BINDING ON, Trend Control Systems Ltd’s software suppliers.
- No Liability for Certain Damages. EXCEPT AS PROHIBITED BY LAW, Trend Control Systems Ltd’s software suppliers SHALL HAVE NO LIABILITY FOR ANY INDIRECT, SPECIAL, CONSEQUENTIAL OR INCIDENTAL DAMAGES ARISING FROM OR IN CONNECTION WITH THE USE OR PERFORMANCE OF THE SOFTWARE. THIS LIMITATION SHALL APPLY EVEN IF ANY REMEDY FAILS OF ITS ESSENTIAL PURPOSE. IN NO EVENT SHALL Trend Control Systems Ltd’s software suppliers BE LIABLE FOR ANY AMOUNT IN EXCESS OF U.S. TWO HUNDRED FIFTY DOLLARS (U.S.\$250.00).
- Limitations on Reverse Engineering, Decompilation, and Disassembly. You may not reverse engineer, decompile, or disassemble the SOFTWARE, except and only to the extent that such activity is expressly permitted by applicable law notwithstanding this limitation.
- SOFTWARE TRANSFER ALLOWED BUT WITH RESTRICTIONS. You may permanently transfer rights under this EULA only as part of a permanent sale or transfer of the Device, and only if the recipient agrees to this EULA. If the SOFTWARE is an upgrade, any transfer must also include all prior versions of the SOFTWARE.

5 CLEANING AND MAINTENANCE

There are no serviceable parts inside the unit. Cleaning of the unit should be carried out in order to avoid buildup of dust or other containments. **Disconnect power before carrying out any cleaning.** Clean surfaces with a cloth moistened with water.

6 DISPOSAL

Remove all personal data from the unit before disposal.

WEEE Directive:

At the end of their life the packaging, and product should be disposed of by a suitable recycling centre. Do not dispose of with normal household waste. Do not burn.

Please send any comments about this or any other Trend technical publication to techpubs@trendcontrols.com



© 2017 Honeywell Technologies Sàrl, E&ES Division. All rights reserved. Manufactured for and on behalf of the Environmental & Energy Solutions Division of Honeywell Technologies Sàrl, Z.A. La Pièce, 16, 1180 Rolle, Switzerland by its Authorized Representative, Trend Control Systems Limited.

Trend Control Systems Limited reserves the right to revise this publication from time to time and make changes to the content hereof without obligation to notify any person of such revisions or changes.

Trend Control Systems Limited

Albery House, Springfield Road, Horsham, West Sussex, RH12 2PQ, UK. Tel:+44 (0)1403 211888 Fax:+44 (0)1403 241608 www.trendcontrols.com